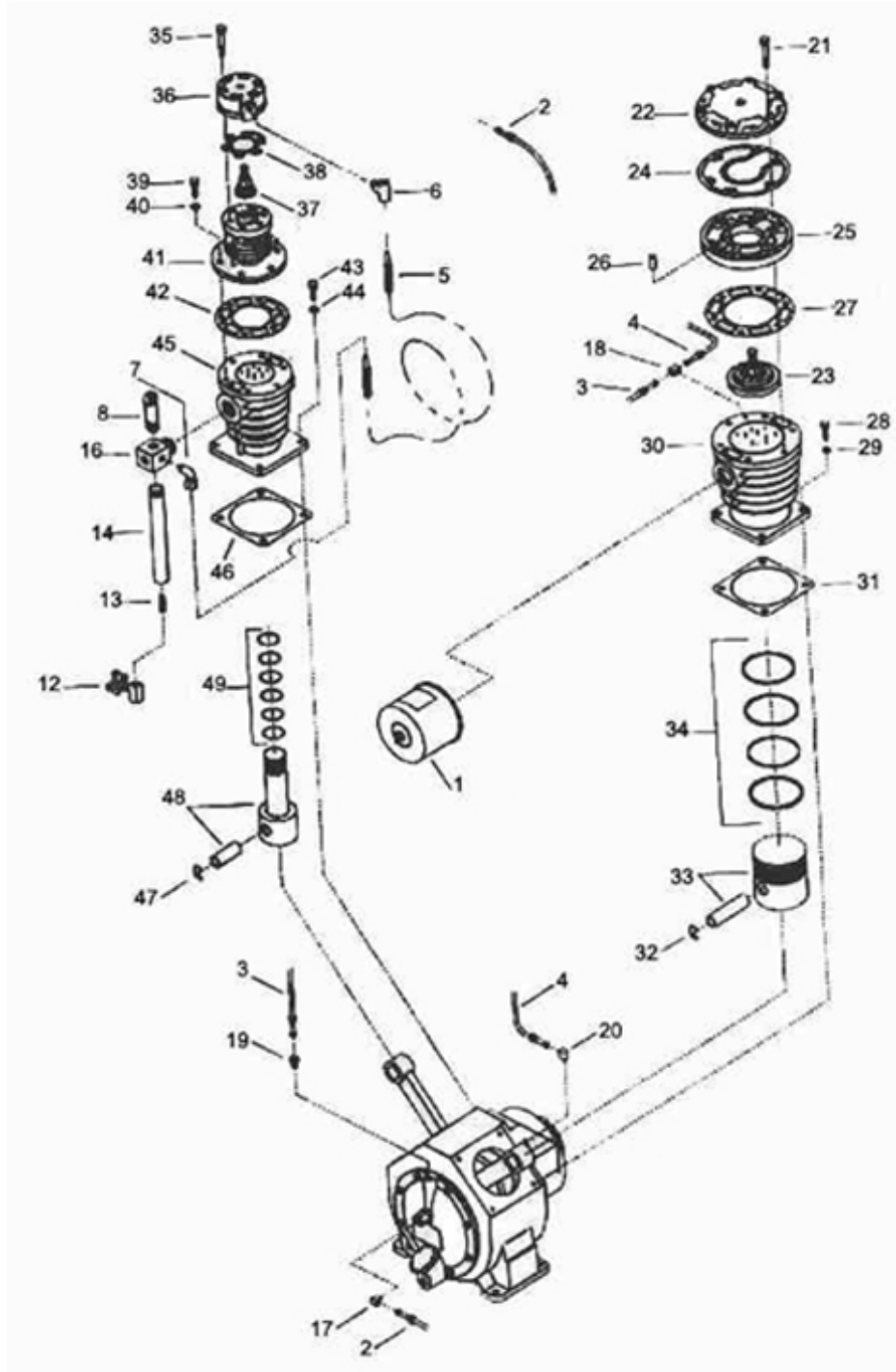


2. BARE COMPRESSOR - MODEL 7T2



All manufacturer's names, numbers, photos, product description and/or part numbers are used for reference purposes only & it is not implied that any part listed is the product of these manufacturers. Since Approvement are made from time to time, the illustration and specifications are subject to change without notice.

2. BARE COMPRESSOR - MODEL 7T2

No.	Description	Ref Part No.	QTY
2-1	Filter 10 Micron	32109779	1
2-2	Tube Assembly Intercooler/P.V	37152196	1
2-3	Tube Assembly Fec PV/Inlet/A/H	37152154	1
2-4	Tube Assembly Breather Frame/Inlet	37152147	1
2-5	Tube Intercooler Without Nut	30812028	1
2-6	Elbow Tube 1/2" od * 3/8 * NPT Male	95040184	1
2-7	Connector Tube 1/2" * 3/8" NPT	95083184	1
2-8	Valve Safety 1/2 X 600 PSIG	31385503	1
2-12	Valve Needle 1/4	30666002	1
2-13	Nipple Hex 1/4 WP 1000 PSIG	32175051	2
2-14	Leg Condensate Assembly	94495686	1
2-15	Plug Pipe Sq. HD.1/4"	95033593	1
2-16	Connection Air Outlet	94495694	1
2-17	Elbow Tube 5/16" OD * 1/4" NPT Male	95110441	1
2-18	Tee Tube 5/16" Tube X 18" NPT	95007522	1
2-19	Connector Tube 5/16" * 1/4" NPT	95082491	2
2-20	Elbow Tube 5/16" * 1/4" NPT Male	95110441	1
2-21	Screw Cap Hex 1/2" X 3"	95053054	6
2-22	Head Air Top AS & S	37130481	1
2-23	Valve Assembly 50	37004843	1
2-24	Gasket Air Head Center	37007747	1
2-25	Head Air Elbow 5"	37130499	1
2-26	Down Pin for Air Head	37114030	1
2-27	Gasket Air Head	30294193	1
2-28	Capscrew -Hex Head 1/2" X 1-1/4"	95053567	4
2-29	Washer Copper 1/2"	95674701	4
2-30	Cylinder LP 5" 15T	37128782	1
2-31	Gasket Cylinder Flange	30294235	1
2-32	Ring Lock	30288450	2
2-33	Piston Pin Assembly 5" LP	32054504	1
2-33A	- Pin Piston	30288427	1
2-34	Ring Piston Set LP - 5" Dia. (32015174)	32198376	1
2-35	Screw Cap Hex 1/2" X 2-3/4"	95104212	6
2-36	Head Air 1-5/8"	37130655	1
2-37	Valve Complete 1-5/8"	31517725	1
2-38	Gasket Air Head	30294284	1
2-39	Screw Cap Hex Head 1/2" X 1-1/4"	95053567	6
2-40	Washer Copper 1/2"	95674701	6

All manufacturer's names, numbers, photos, product description and/or part numbers are used for reference purposes only & it is not implied that any part listed is the product of these manufacturers. Since Approvement are made from time to time, the illustration and specifications are subject to change without notice.

2. BARE COMPRESSOR - MODEL 7T2

No.	Description	Ref Part No.	QTY
2-41	Cylinder HP 2"	37128519	1
2-42	Gasket Air Head	30294508	1
2-43	Screw Cap Hex Head 1/2" X 1-1/4"	95053567	4
2-44	Washer Copper 1/2"	95674701	4
2-45	Cylinder HP 3-1/2"	37128501	1
2-46	Gasket Cylinder Flange	30294235	1
2-47	Ring Lock	30288450	2
2-48	Piston Pin Assembly 3"	32054538	1
2-48A	– Pin Piston HP	30288385	1
2-49	Ring Piston Set 2"	37138088	1