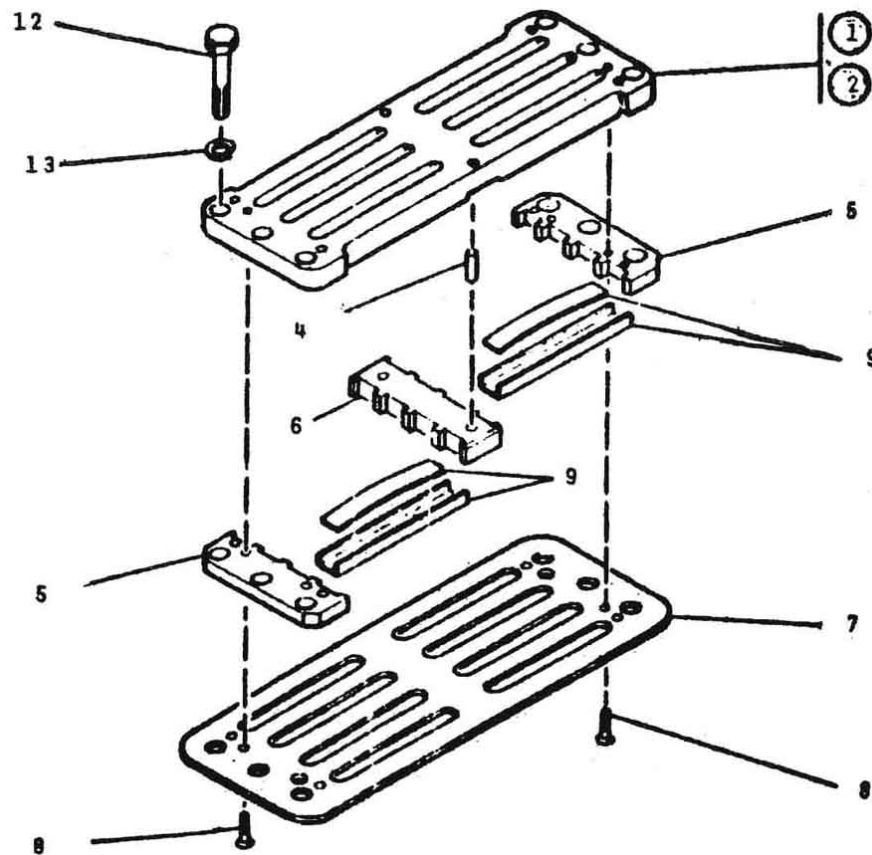


A829PC2C - VALVE DISCHARGE



No.	Description	Ref Part No.	QTY
1	Valve Discharge Compl.	A829PC2C	-
2	- Plate Stop	A829PC6C	1
5	- Guide Outer	A465PC16	2
6	- Guide Center	A829PC24	1
4	- Dowel	26A13F501	6
7	- Plate Seat	A829PC18	1
8	- Machine Screw	77A2S29	2
9	- Set Channel & Spring	A829PC33A	1
12	- Capscrew	35A2D7	6
13	- Lockwasher	14A5C54	6

All manufacturer's names, numbers, photos, product description and/or part numbers are used for reference purposes only & it is not implied that any part listed is the product of these manufacturers. Since Approvement are made from time to time, the illustration and specifications are subject to change without notice.