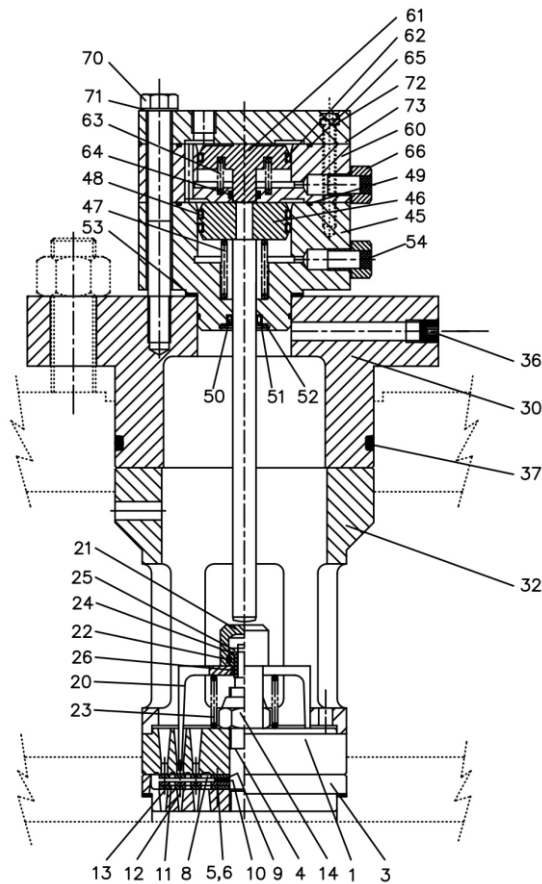


70469929 - VALVE INLET WITH U/L



No.	Description	Ref Part No.	QTY
-	VALVE INLET WITH U/L	70469929	-
32	- CAGE	17271982	1
37	- O-RING	17271990	1
-	- VALVE INLET W/UNL 92FD	17272402	1
-	-- VALVE INLET 92FD	17272410	1
-	--- ASSEMBLY GUARD INLET 92FD	17268772	1
3	---- GUARD INLET 92FD	17272428	1
4	---- BOLT CENTER 1018	17272436	1
6	---- PIN LOCATING	33017658	1
-	---- BOLT LOCK	33055138	1
5	---- PIN LOCATING	37054616	1
11	---- PLATE DAMPING	33010877	2
8	---- PLATE VALVE	33017559	1
13	---- SPRING CLOSING	33426024	4
12	---- SPRING CLOSING	33426917	4
1	---- SEAT INLET	37987187	1
9	---- WASHER LIFT	39217849	1
10	---- WASHER LIFT	39217849	1

All manufacturer's names, numbers, photos, product description and/or part numbers are used for reference purposes only & it is not implied that any part listed is the product of these manufacturers. Since Approvement are made from time to time, the illustration and specifications are subject to change without notice.

70469929 - VALVE INLET WITH U/L

No.	Description	Ref Part No.	QTY
14	--- LOCKNUT	39217864	1
-	-- ASSEMBLY UNLOADER	37987179	1
23	--- SPRING UNLOADER	34033670	1
22	--- WIRE LOCKING	37949963	1
25	--- PIN UNLOADER	37949971	1
24	--- RING STOP	37949989	1
21	--- COVER UNLOADER	37949997	1
26	--- BUSHING GUIDE	37950003	1
20	--- UNLOADER	37987237	1
30	- COVER	17272493	1
36	- PLUG DRAIN	37984820	1