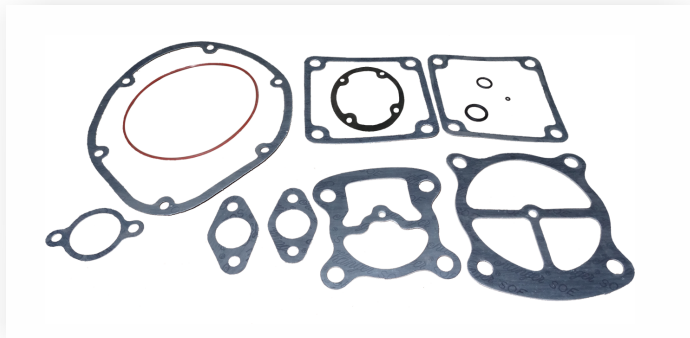


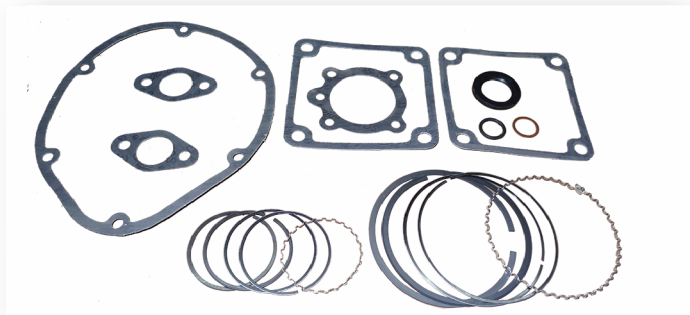
Service KIT For Model 2545

1. Gasket Set 32307126



No.	Description	QTY	Part No.	Part No.	SET
A	Gasket Set			32307126	1
	– Valve Plate O-Ring	1	32294076		
	– Valve Plate O-Ring	1	32294068		
	– Shaft End Cover Gasket	1	32294027		
	– Cylinder Flange Gasket	2	32294019		
	– Unloader Cover Gasket	1	32182826		
	– Frame End Cover Gasket	1	32294035		
	– Manifold Gasket	2	32188377		
	– Unloader Piston O-Ring	1	32188385		
	– Oil Filler O-Ring	1	32247850		
	– O-Ring	1	95022695		
	– H/P Head Gasket	1	32294043		
	– L/P Head Gasket	1	32294050		
	Total	14			

2. Ring/Gasket Kit 32307084



No.	Description	QTY	Part No.	Part No.	SET
B	Ring/Gasket Kit			32307084	1
	– Oil Seal	1	32204570		
	– Oil Filler Plug "O" Ring	1	32247850		
	– Cylinder Frame Gasket	2	32294019		
	– Manifold Gasket	2	32188377		
	– Frame End Cover Gasket	1	32294035		
	– Shaft End Cover Gasket	1	32294027		
	– Copper Gasket	1	95674750		
	– Ring Set (2.75") (70241963)	1	32307092		
	– Ring Set (5") (70241971)	1	32307100		
	Total	11			