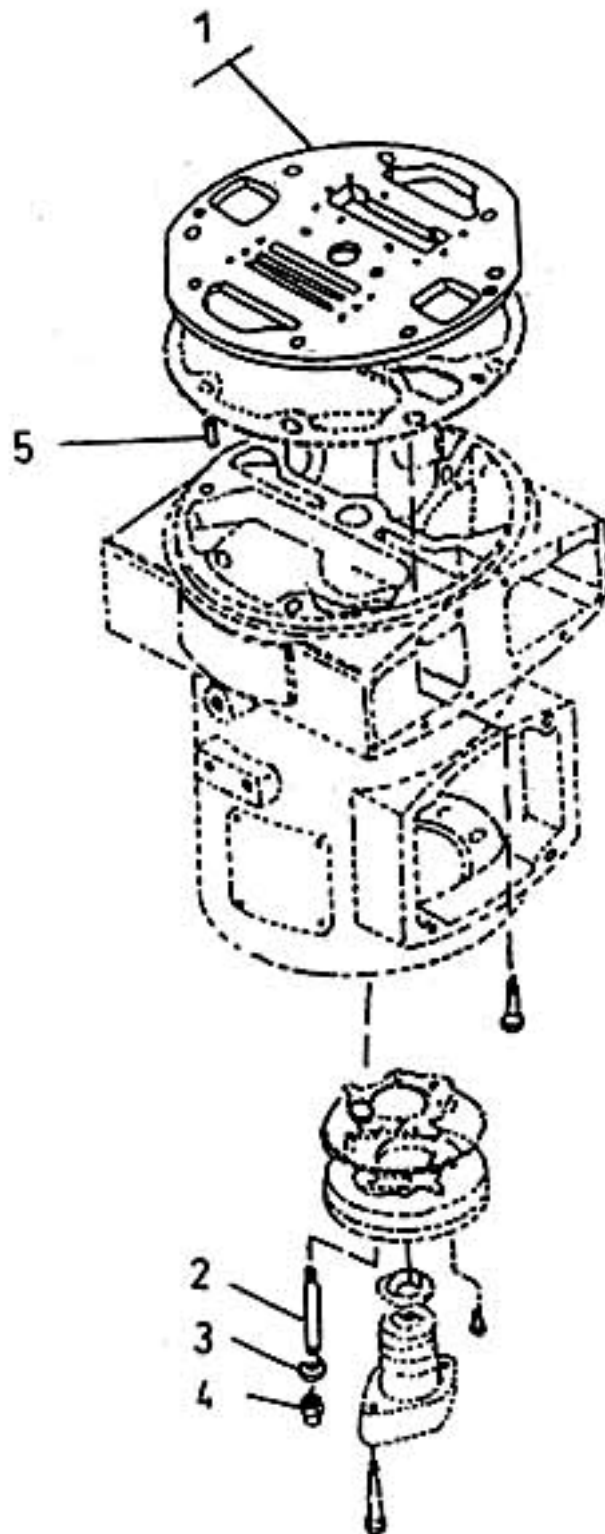


## 14. ASSEMBLY PLATE PORT FRAME END - MODEL 8 x 7 NL



All manufacturer's names, numbers, photos, product description and/or part numbers are used for reference purposes only & it is not implied that any part listed is the product of these manufacturers. Since Approvement are made from time to time, the illustration and specifications are subject to change without notice.

## 14. ASSEMBLY PLATE PORT FRAME END - MODEL 8 x 7 NL

No.	Description	Ref Part No.	QTY
–	Assembly Plate Port Frame End	37014602	–
1	– Plate For Frame End	37803137	1
2	– Stud 1/2" X 7 -3/4"	95214094	2
3	– Gasket Copper Washer 1/2"	30756068	2
4	– Nut Cap 1/2"	95108239	2
5	– Pin Roll 3/8" X1-3/4"	95098703	2

All manufacturer's names, numbers, photos, product description and/or part numbers are used for reference purposes only & it is not implied that any part listed is the product of these manufacturers. Since improvement are made from time to time, the illustration and specifications are subject to change without notice.