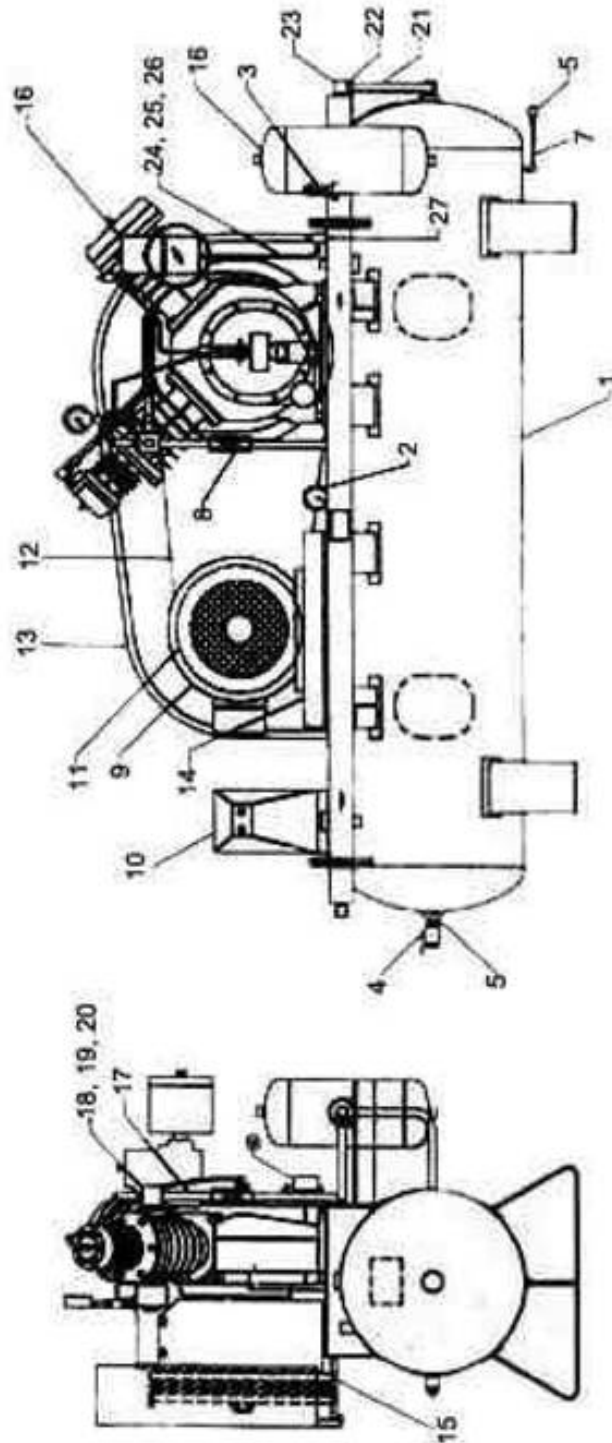


8. Compressor Package, Receiver, Watercooled Aftercooler And Accessories - Model 7T2



All manufacturer's names, numbers, photos, product description and/or part numbers are used for reference purposes only & it is not implied that any part listed is the product of these manufacturers. Since Approvement are made from time to time, the illustration and specifications are subject to change without notice.

8. Compressor Package, Receiver, Watercooled Aftercooler And Accessories - Model 7T2

Ref. No.	Component Part Number	Description	Qty. per	Spares		
			Assly.	1	2	3
9-1	70244488	Air Receiver	1			
9-2	70240163	Pressure Guage On Air Receiver -0 -1000 PSI	1			
9-3	70244496	Safety Valve On Air Receiver	1			
9-4	70235510	Valve Ball Receiver Discharge, 3/4"	1			
9-5	97056444	Nipple Hex 3/4"	1			
9-6	94465713	Drain Valve 1/4"	1			
9-7	95242764	Nipple Pipe 1/4" X 8" LG	1			
9-9	94496403	Check Valve 3/4"	1			
9-9	97054571	Motor Electric 12.5 HP	1			
9-10	97054423	Starter 12.5 HP Dol	1			
9-11	97056311	Motor Pulley	1			
9-12	94465101	V Belt -B95	2			
9-13	70234067	Belt Guard	1			
9-14	97044143	Slide Rail 18"	1			
9-15	97042311	Distance Piece	2			
9-16	70244512	Water Cooled After Cooler	1			
9-17	97045744	Tube Copper Straight Disc. (Inlet A/C.) 3/4" X 5'	1			
9-19	95108577	Nut Connector 3/4"	2			
9-19	95083275	Connector Tube 3/4"	1			
9-20	30212682	Elbow Tube 3/4"	1			
9-21	97045744	Tube Copper Straight Discharge A/C 3/4" X 23"	1			
9-22	95108577	Nut Connector 3/4"	2			
9-23	30212682	Elbow Tube 3/4"	2			
9-24	32020489	Tube Copper 5/16" X 1/4" X 24" LG.	1			
9-25	95031860	Elbow Tube 5/16" X 1/8"	2			
9-26	95229027	Nut Tube 5/16"	2			
9-27	94465077	Aux. Valve 300-60 PSIG	1			
9-28	30210686	CSC for Unloading	1			