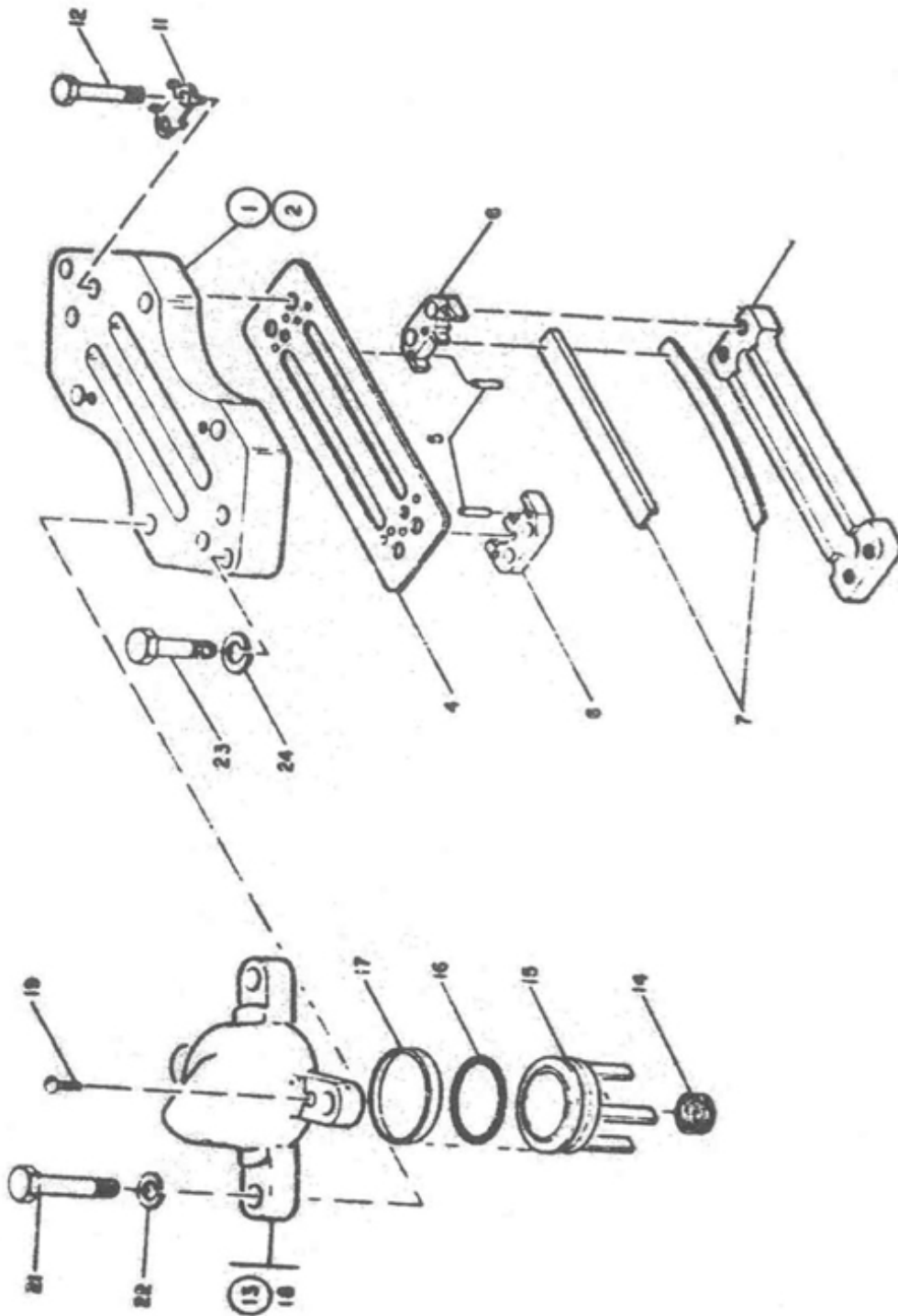


**6. VALVE-FAU & INLET - MODEL 8 x 7 LUB**



All manufacturer's names, numbers, photos, product description and/or part numbers are used for reference purposes only & it is not implied that any part listed is the product of these manufacturers. Since Approvement are made from time to time, the illustration and specifications are subject to change without notice.

## 6. VALVE-FAU & INLET - MODEL 8 x 7 LUB

No.	Description	Ref Part No.	QTY
1	Valve-Inlet Complete	A357PC1	–
2	– Seat-Inlet Valve	A357PC3	1
4	– Plate-Seat	A357PC18	1
6	– Guide-Valve	A357PC16	2
5	– Dowel	26A13F501	4
10	– Plate-Inlet Stop	A357PC5	1
12	– Capscrew Stop Plate	35A2109	6
11	– Lock Bolt	W71947	6
7	– Set-Channels & Springs	A357PC33	1
23	– Capscrew Valve Seat	35A260	6
24	– Lockwasher-Valve Seat	14A5C64	6
13	Unloader-Free Air Complete	X1452TA357CC	–
18	– Cage-Unloader	1R42365	1
15	– Plunger-Unloader	1R23495A	1
14	– Spring-Unloader	PP705	1
16	– "O" Ring	20A11CM328	1
17	– Ring Piston	1W68435	1
21	– Capscrew-Cage Hexhead	35A2C63	4
22	– Lockwasher	14A5C65	4
–	– Speed Grip	C8614-017-27	4
19	– Screw-Round Head	83A2C23	2
–	– Washer	12A5C3	2