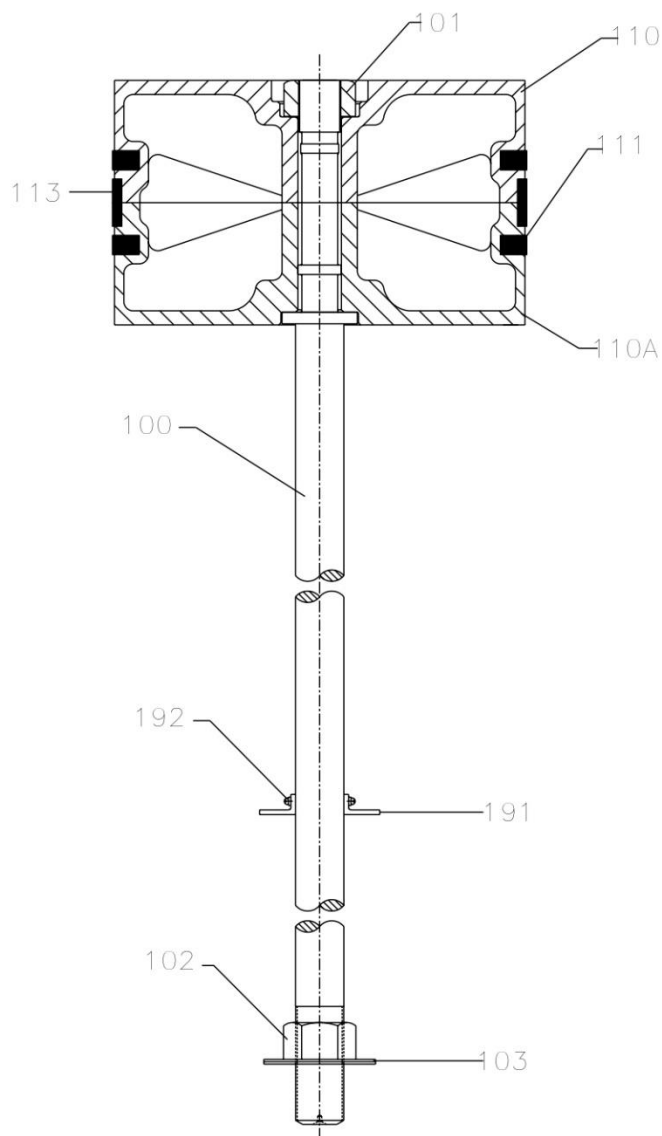


FIGURE 4A
PISTON AND ROD ASSEMBLY



4 - PISTON & ROD ASSEMBLY - MODEL - 11 x 7 ESV NL

Sr.No	Description	Ref Part Nos	Qty
–	. . ASSEMBLY PISTON & ROD 11X7 ESV	42119107	1
4-102	. . . NUT JAM 7 INCH STROKE	30565675	1
4-100	. . . ROD PISTON 11X7 ESV LIQUID NITRIDED	39584651	1
4-110	. . . ASSEMBLY PISTON ESV	37762796	1
4-110A PISTON COMPLETE 11 X 7 NL	70404033	1
4-101	. . . NUT PISTON-1/8-12UNF2B	37087525	1
4-103	. . . WASHER LOCK STAR 7 STK	30589568	1
4-113	. . . RING WEARING 11 ESV	37047321	1
4-111	. . . RING PISTON 11	95043444	2
–	. . . HOLDER VALVE	37077252	1
–	. . ASSEMBLY OIL STOP PLATE EXPORT	37802279	1
4-191	. . . PLATE OIL STOP	30253025	1
4-192	. . . CLAMP	95235131	4

All manufacturer's names, numbers, photos, product description and/or part numbers are used for reference purposes only & it is not implied that any part listed is the product of these manufacturers. Since Approvement are made from time to time, the illustration and specifications are subject to change without notice.