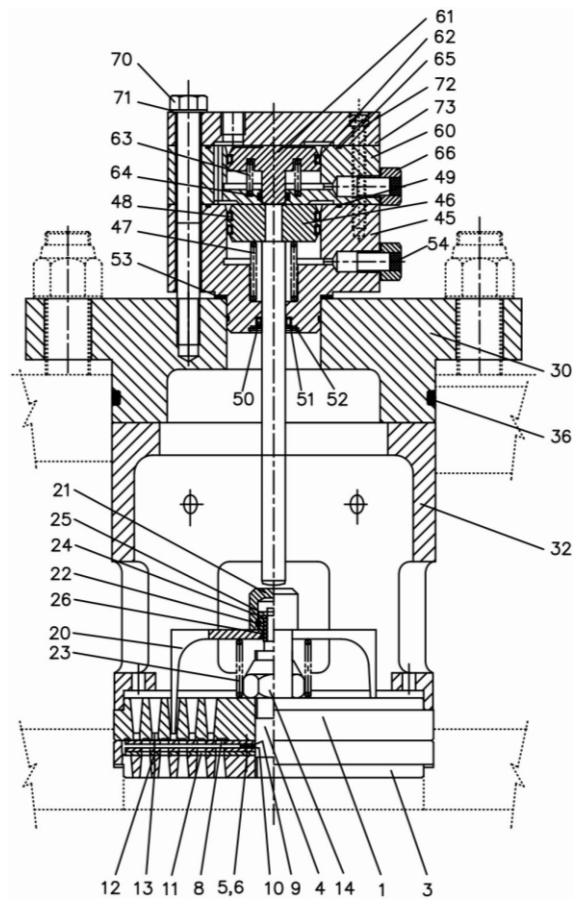


70469861 - VALVE INLET WITH U/L



No.	Description	Ref Part No.	QTY
-	VALVE INLET WITH U/L	70469861	-
36	- O-RING	17271883	1
32	- CAGE	17271933	1
-	- VALVE INLET W/UNL 154HD	17272303	1
-	-- VALVE INLET 154HD	17272311	1
1	--- SEAT SUCTION 154HD	17268756	1
-	---- ASSEMBLY GUARD INLET 154HD	17268764	1
4	----- BOLT CENTER 1216	17272220	1
3	----- GUARD INLET	17272329	1
-	----- BOLT LOCK	33055138	1
5	----- PIN LOCATING	37054608	1
6	----- PIN LOCATING	37211869	1
13	---- SPRING CLOSING	33426024	4
12	---- SPRING	33427006	4
8	---- PLATE VALVE	37284205	1
11	---- PLATE DAMPING	37284270	2
14	---- LOCKNUT	37989621	1
9	---- WASHER LIFT	97193361	1

All manufacturer's names, numbers, photos, product description and/or part numbers are used for reference purposes only & it is not implied that any part listed is the product of these manufacturers. Since Approvement are made from time to time, the illustration and specifications are subject to change without notice.

70469861 - VALVE INLET WITH U/L

No.	Description	Ref Part No.	QTY
10	--- WASHER LIFT	97193361	1
-	-- ASSEMBLY UNLOADER	17272337	1
20	--- UNLOADER	17272345	1
23	--- SPRING	34037432	1
22	--- WIRE LOCKING	37949963	1
25	--- PIN UNLOADER	37949971	1
24	--- RING STOP	37949989	1
21	--- COVER UNLOADER	37949997	1
26	--- BUSHING GUIDE	37950003	1
30	- COVER	17272394	1

All manufacturer's names, numbers, photos, product description and/or part numbers are used for reference purposes only & it is not implied that any part listed is the product of these manufacturers. Since improvement are made from time to time, the illustration and specifications are subject to change without notice.