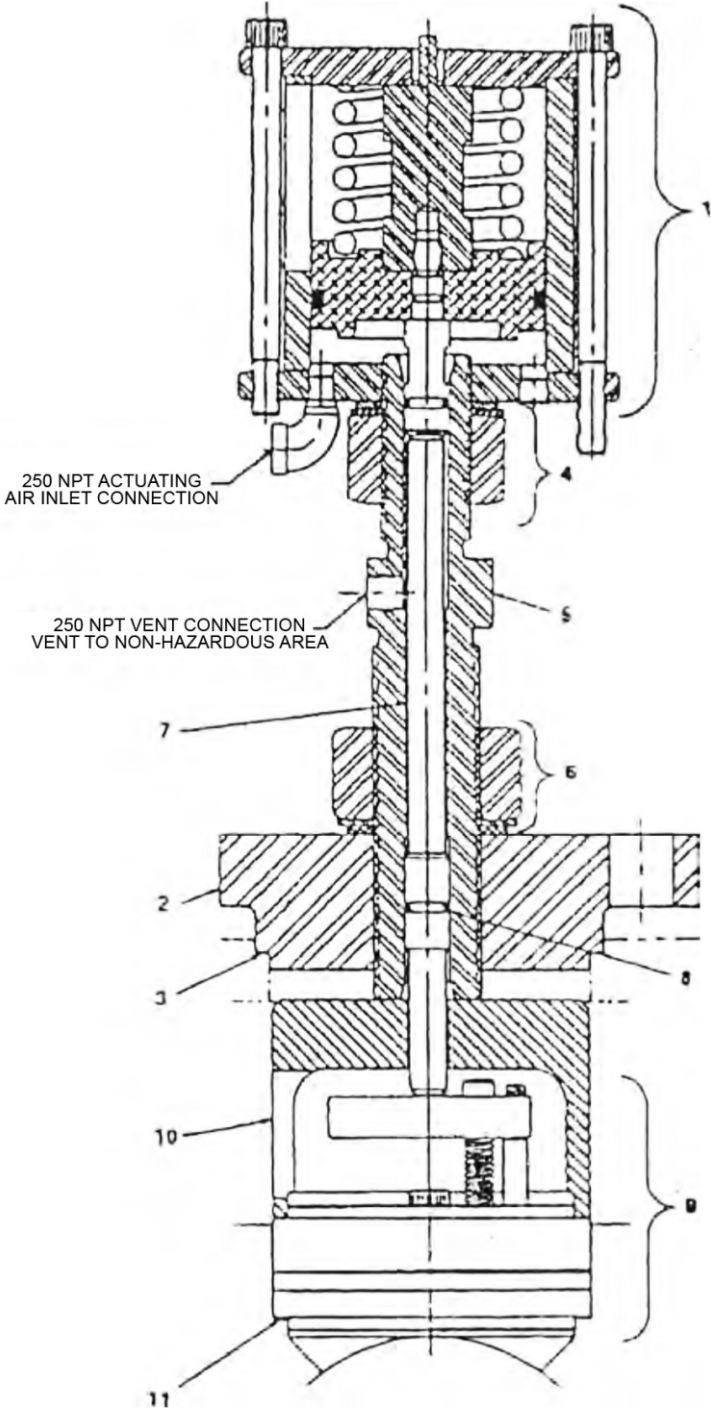


14.2 OPERATOR UL-91



All manufacturer's names, numbers, photos, product description and/or part numbers are used for reference purposes only & it is not implied that any part listed is the product of these manufacturers. Since Approvement are made from time to time, the illustration and specifications are subject to change without notice.

14.2 OPERATOR UL-91

No.	Description	Ref Part No.	QTY
8-1	OPERATOR UL-91	39245519	1
8-2	COVER VALVE	39245527	1
8-3	GASKET	30550842	1
8-4	THREADSET - OPERATOR	39245535	1
8-5	SETSCREW	39245543	1
8-6	THREADSET - VALVE COVER	39238332	1
8-7	PUSHROD	39245550	1
8-8	ORING	95045092	1
8-9	VALVE INLET COMPLETE WITH PLUNGER	39245568	1
8-10	CAGE VALVE	39245592	1
8-11	GASKET	30550818	1