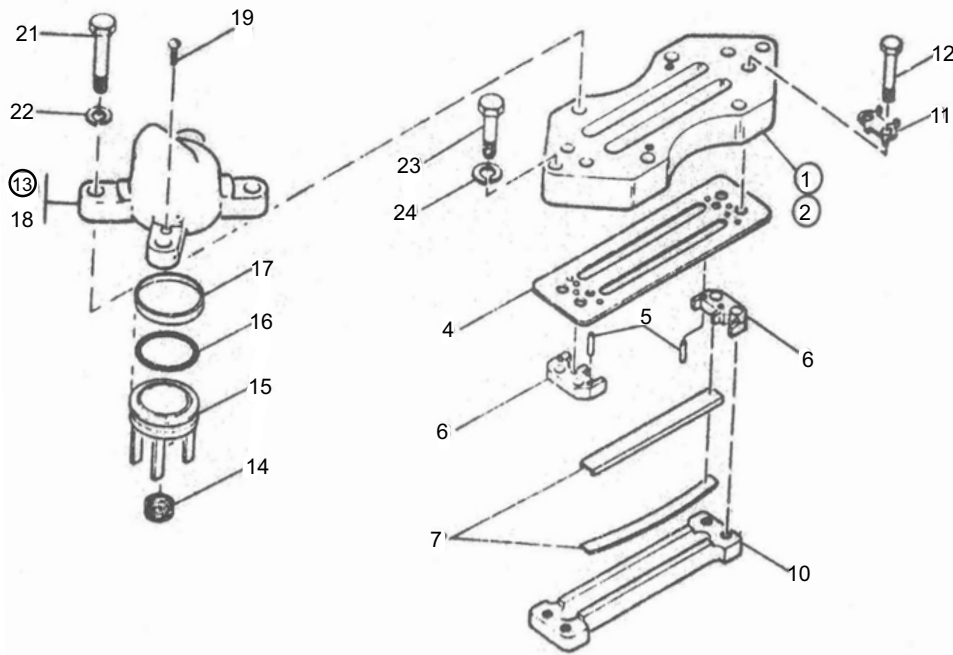


# A357PC1 - VALVE FAU & INLET



No.	Description	Ref Part No.	QTY
<b>1</b>	<b>Valve-Inlet Complete</b>	<b>A357PC1</b>	–
2	– Seat Inlet Valve	A357PC3	1
4	– Plate Seat	A357PC18	1
6	– Guide Valve	A357PC16	2
5	– Dowel	26A13F501	4
10	– Plate Inlet Stop	A357PC5	1
12	– Capscrew Stop Plate	35A2109	6
11	– Lock Bolt	W71947	6
7	– Set Channels & Springs	A357PC33	1
23	– Capscrew Valve Seat	35A260	6
24	– Lockwasher Valve Seat	14A5C64	6
–	<b>– Unloader Free Air Complete</b>	<b>X1452TA357CC</b>	–
18	– – Cage Unloader	1R42365	1
15	– – Plunger Unloader	1R23495A	1
14	– – Spring Unloader	PP705	1
16	– – "O" Ring	20A11CM328	1
17	– – Ring Piston	1W68435	1
21	– – Capscrew Cage Hexhead	35A2C63	4
22	– – Lockwasher	14A5C65	4
19	– – Screw Round Head	83A2C23	2

All manufacturer's names, numbers, photos, product description and/or part numbers are used for reference purposes only & it is not implied that any part listed is the product of these manufacturers. Since Approvement are made from time to time, the illustration and specifications are subject to change without notice.