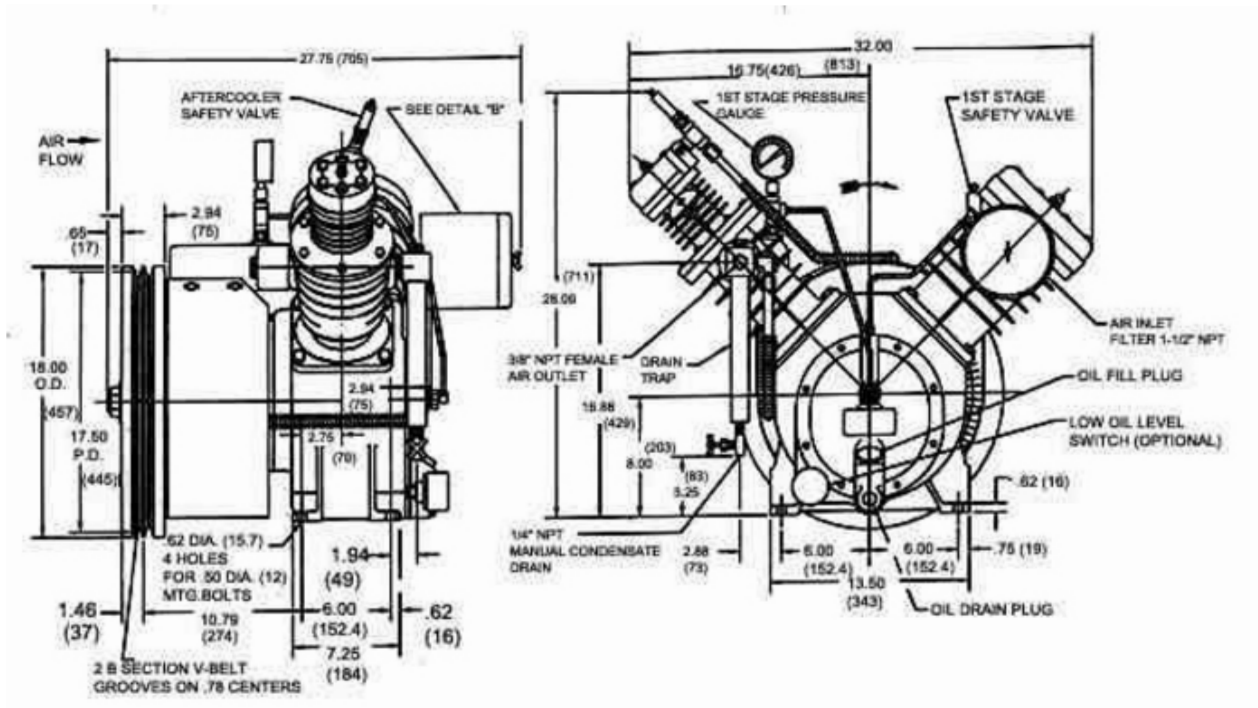


7. COMPRESSOR DRIVE & ACCESSORIES - MODEL 7T2



All manufacturer's names, numbers, photos, product description and/or part numbers are used for reference purposes only & it is not implied that any part listed is the product of these manufacturers. Since Approvement are made from time to time, the illustration and specifications are subject to change without notice.

7. COMPRESSOR DRIVE & ACCESSORIES - MODEL 7T2

No.	Description	Ref Part No.	QTY
8-01	Compressor Bare Local	97043897	1
8-02	Base Plate	97044762	1
8-02A	Base Plate for Engine Drive	97044952	1
8-03	Belt V B-95	94465101	2
8-03	Belt V B-96	97044457	2
8-03	Belt V B-100	94469509	2
8-04	Belt V B-98	90235458	2
8-04	Pulley Motor 61116 B 0238	97043228	1
8-04	Pulley Motor 10 B 0238	97055156	1
8-04	Pulley Motor 800 RPM	97056311	1
8-05	Guard Belt	70234067	1
8-06	Distance Piece Belt Guard 1/2 X 12.5	97042337	2
8-07	Slide Rail 14"	97044127	1
8-07A	Slide Rail 18"	97044143	1
8-08	Switch Press 10-40 Bar 1/4" NPT	97044069	1
	Optional Equipments		
8-11A	Motor Electric 7.5 H.P. Any Make TECF	97051742	1
8-11B	Motor Electric 10 H.P. Any Make TECF	97056501	1
8-11C	Motor Electric 12.5 H.P. Any Make TECF	97056501	1
8-12A	Starter 7.5 H.P. D.O.L Any Make	97056659	1
8-12B	Starter 10 H.P. D.O.L Any Make	97056519	1
8-12C	Starter 12.5 H.P. D.O.L Any Make	97054423	1
8-20	Aftercooler Air Cooled Assembly	94465309	1
8-21	Tube Copper 1" X 7/8"	97045769	3FT
8-22	Nut Connector 1" NPT	95229175	2
8-23	Elbow Tube 1" OD * 1" Npt Male	95229183	2
8-31A	Diesel Engine 'Taf2' 12 HP Kirloskar	97053516	1
8-31B	Diesel Engine 'Ta2' 12 HP	97053524	1
8-31C	Diesel Engine 'Ta2' 12 Electric Start	97053532	1
8-32	Auxiliary Valve 301-600 PSIG	94465077	1
8-32	Auxiliary Valve 201-300 PSIG	94465085	1
8-35	Check Valve 3/4" -1000 PSIG	94496403	1

All manufacturer's names, numbers, photos, product description and/or part numbers are used for reference purposes only & it is not implied that any part listed is the product of these manufacturers. Since Approvement are made from time to time, the illustration and specifications are subject to change without notice.