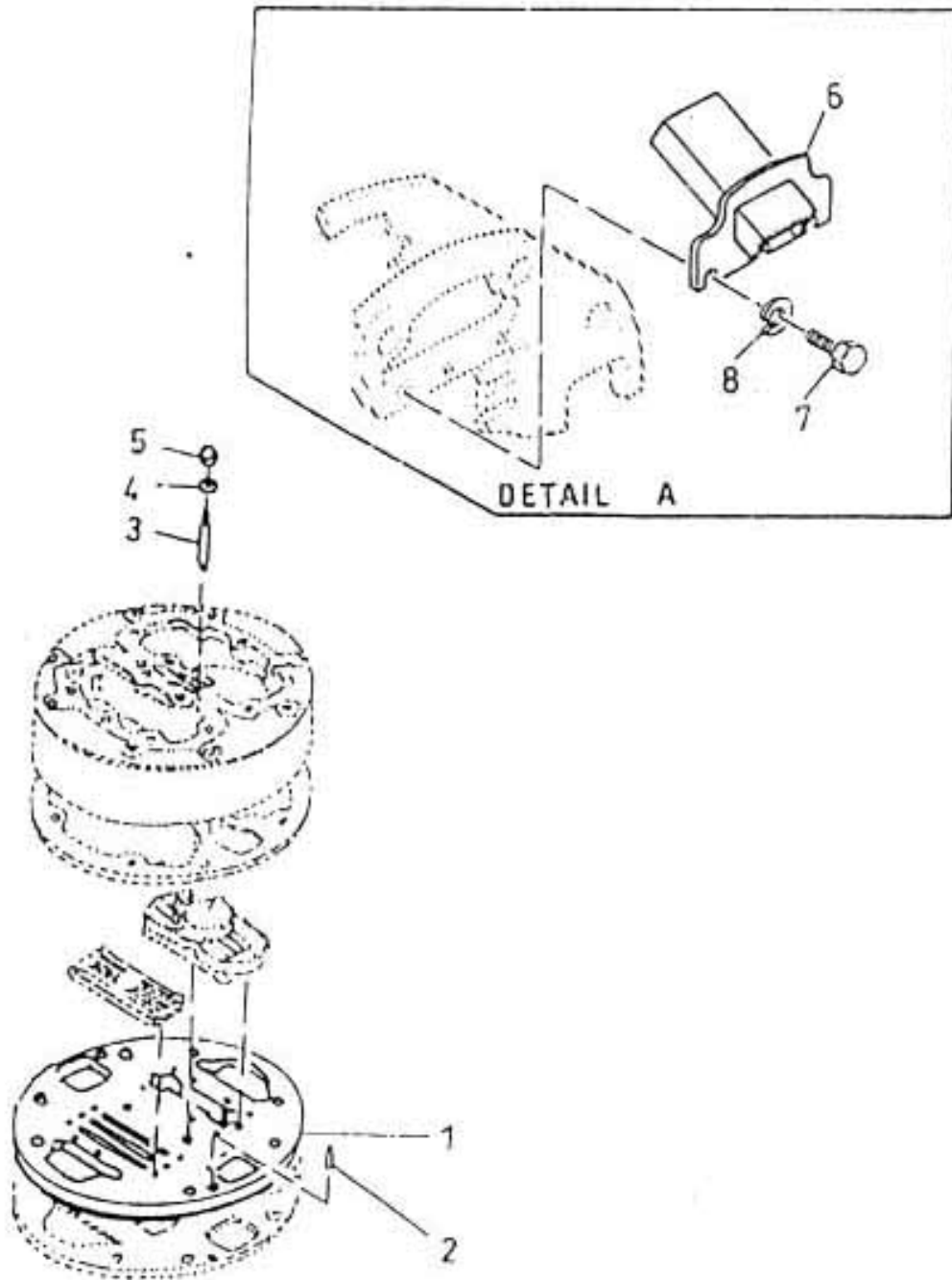


15. ASSEMBLY PLATE PORT OUTER END - MODEL 8 x 5 LUB



All manufacturer's names, numbers, photos, product description and/or part numbers are used for reference purposes only & it is not implied that any part listed is the product of these manufacturers. Since Approvement are made from time to time, the illustration and specifications are subject to change without notice.

15. ASSEMBLY PLATE PORT OUTER END - MODEL 8 x 5 LUB

No.	Description	Ref Part No.	QTY
–	Assembly Plate Port Outer End	70327713	–
1	– Plate Port Outer End	37803145	1
2	– Pin Roll 3/8" X 1-3/4"	95098703	2
3	– Stud 1/2" X 5-1/2"	95211892	2
4	– Gasket Copper Washer 1/2"	30756068	2
5	– Nut Cap 1/2"	95108239	2
6	Choke Tube	–	1
7	Screw Cap Hex Head 3/8" X 3/4"	–	2
8	Washer Spring 3/8	–	2

All manufacturer's names, numbers, photos, product description and/or part numbers are used for reference purposes only & it is not implied that any part listed is the product of these manufacturers. Since Approvement are made from time to time, the illustration and specifications are subject to change without notice.