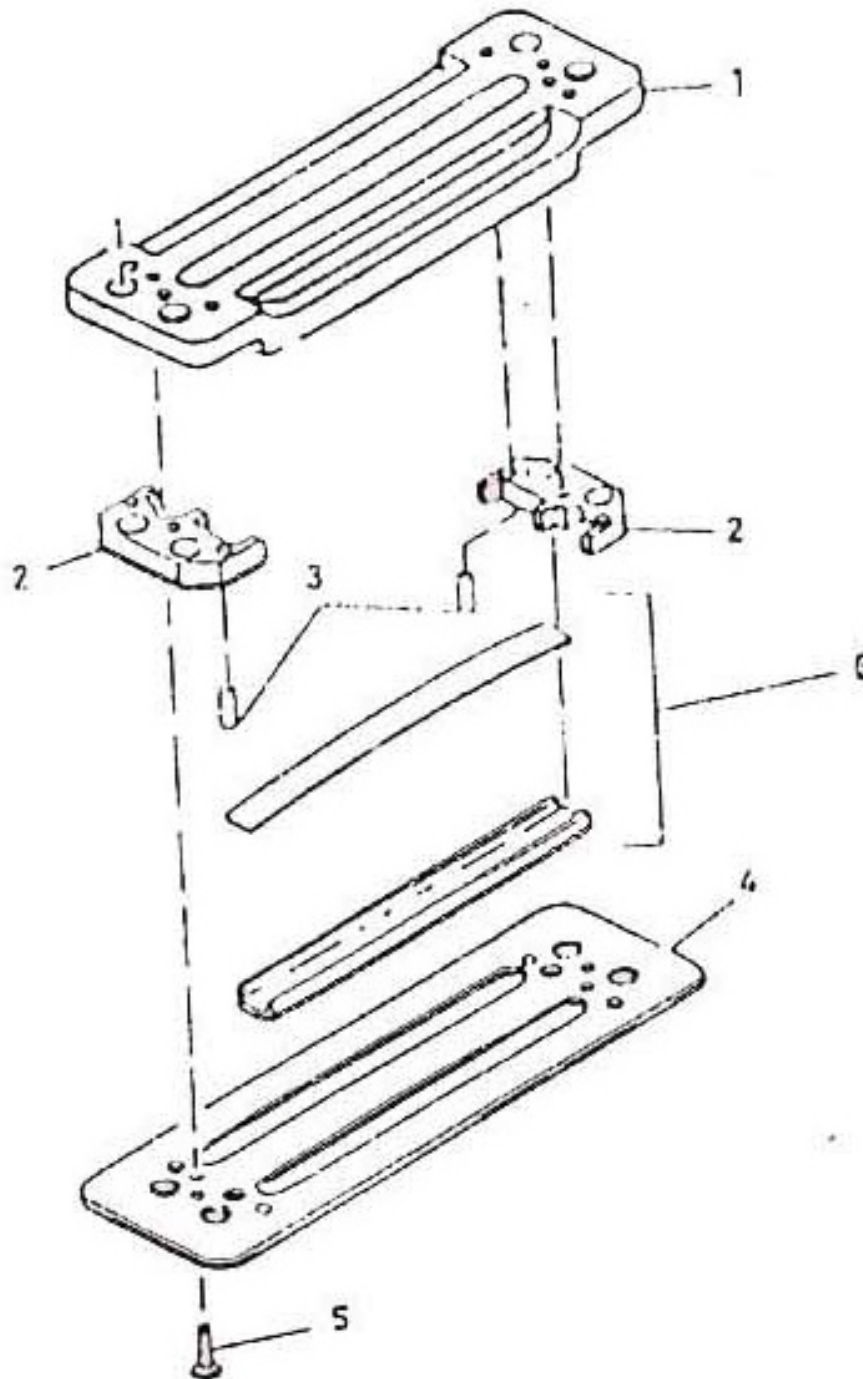


24. VALVE DISCHARGE - MODEL 9.5 x 5 LUB



All manufacturer's names, numbers, photos, product description and/or part numbers are used for reference purposes only & it is not implied that any part listed is the product of these manufacturers. Since Approvement are made from time to time, the illustration and specifications are subject to change without notice.

24. VALVE DISCHARGE - MODEL 9.5 x 5 LUB

No.	Description	Ref Part No.	QTY
–	Valve Discharge	30431423	–
1	– Stop Plate	30464986	1
2	– Guide Valve	37021573IM	2
3	– Pin Drive Lock 1/8" X 9/16"	70233101	4
4	– Seat Plate	30661995IM	1
5	– Screw Machine	95110763	2
6	– Channel & Spring Set	30514632IM	1
–	– Guide Center	30243315IM	1