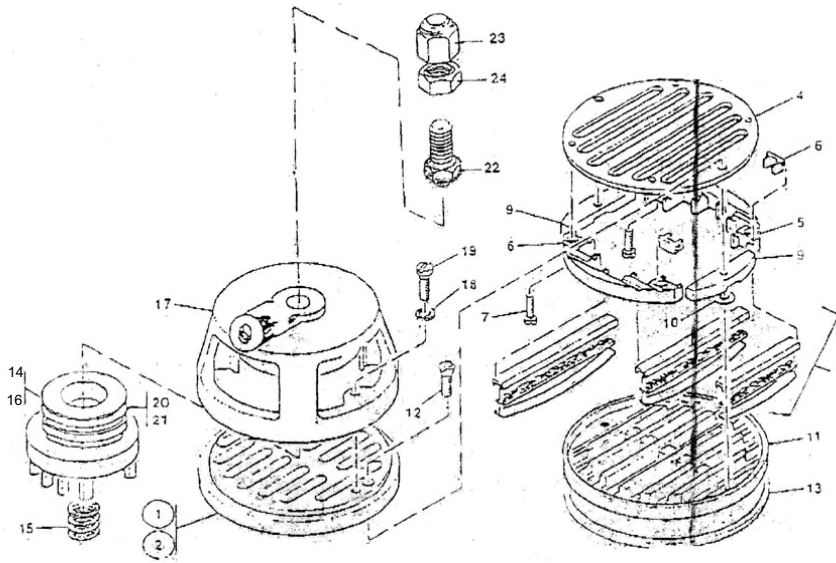


70204359 - VALVE COMPLETE FAU & INLET



No.	Description	Ref Part No.	QTY
-	VALVE COMPLETE FAU & INLET	70204359	-
7A-1	- VALVE INLET - COMPL	37035953	1
7A-2	-- SEAT COMPL - INLET	37022480	1
7A-4	-- PLATE - SEAT	30318869	1
7A-5	-- HOLDER - GUIDE	37039153	2
7A-6	-- GUIDE - VALVE	37039179	18
7A-7	-- SCREW - BUTTON HD	37039161	4
7A-8	-- SET - CHANNEL & SPRING	30514657	1
7A-9	-- BALANCER - FLOW	37024114	2
7A-10	-- WASHER	37082518	2
7A-11	-- STOP PLATE - INLET	30249320	1
7A-12	-- SCREW - FLT HD MACHINE	95110698	2
7A-13	- GASKET - VALVE SEAT	31208127	1
7A-14	- UNLOADER - FAU COMPL.	70204466	1
7A-15	-- SPRING - LIFTING	30576466	1
7A-16	-- PLUNGER - UNLOADER	97057814	1
7A-17	-- CAGE - UNLOADER	97057806	1
7A-18	-- WASHER - LOCK	95081873	2
7A-19	-- SCREW - FILL HD MACH	95111167	2

70204359 - VALVE COMPLETE FAU & INLET

No.	Description	Ref Part No.	QTY
7A-20	-- O-RING	95087110	1
7A-21	-- RING - PISTON	33004201	1
7A-22	- SETSCREW - VALVE	97073977	1
7A-23	- NUT - SETSCREW	97073860	1
7A-24	- NUT - JAM	95117065	1