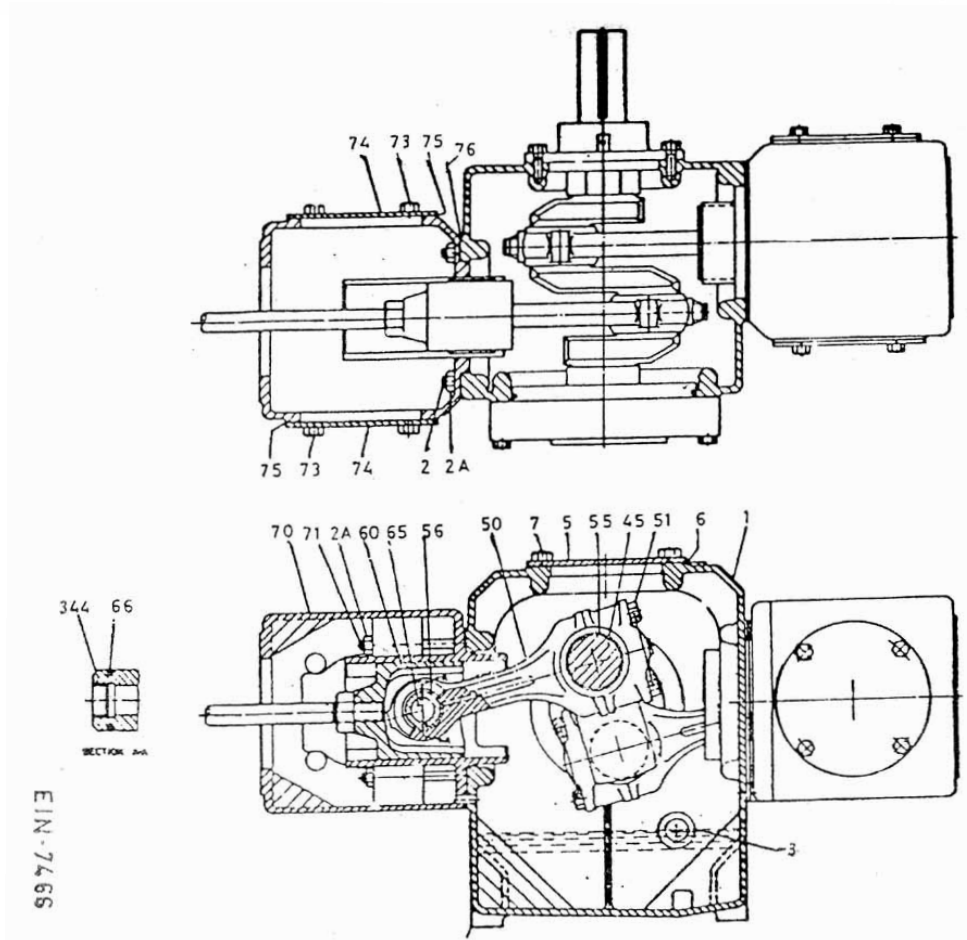
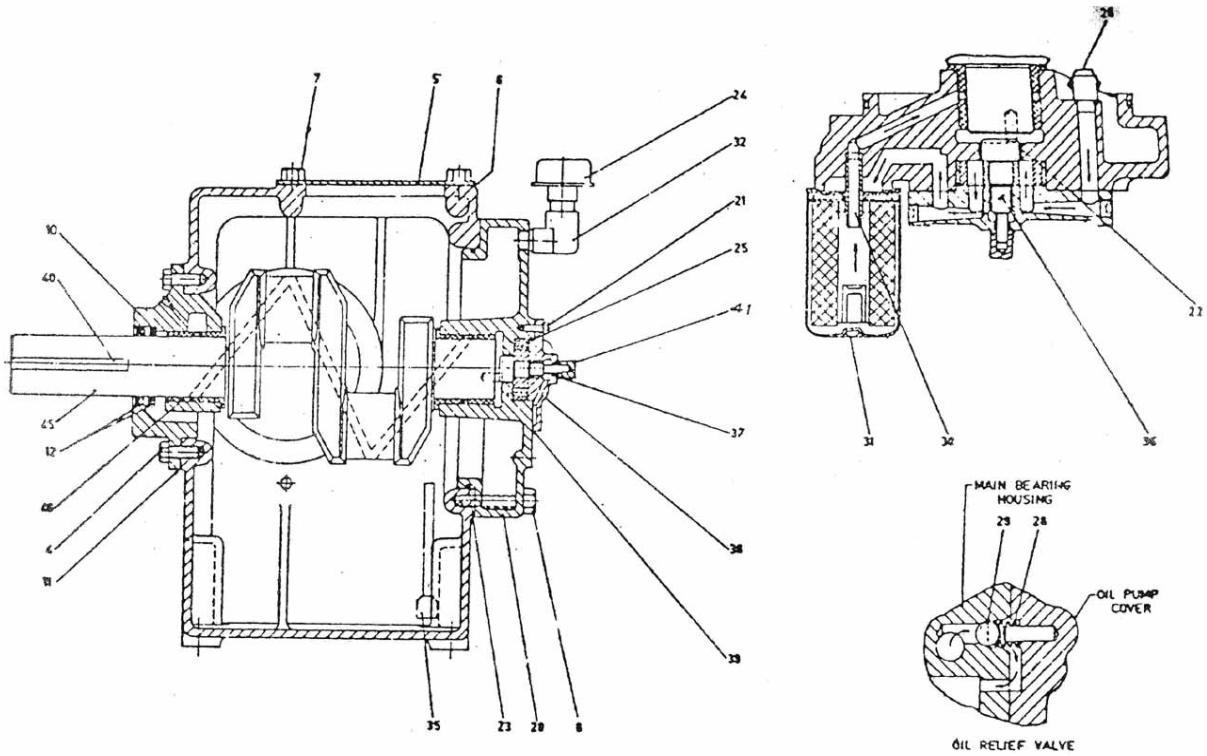


1. FRAME & GEAR 7" - MODEL 12 & 7 X 7 IHES NL



All manufacturer's names, numbers, photos, product description and/or part numbers are used for reference purposes only & it is not implied that any part listed is the product of these manufacturers. Since Approvement are made from time to time, the illustration and specifications are subject to change without notice.

1. FRAME & GEAR 7" - MODEL 12 & 7 X 7 IHE5 NL

No.	Description	Ref Part No.	QTY
-	FRAME & GEAR	-	-
-	FRAME COMPLETE	EIN-7105T	-
1	FRAME	EIN-7105	1
2	STUD - DIST PC GUIDE	90A3C06026	8
2A	NUT DIST PC STUD	16A4C8	16
76	GASKET - FRAME	RIN-7279	2
3	GAUGE OIL LEVEL	6453B1	1
5	COVER FRAME	RIN-7278	1
7	CAPSCREW - COVER	35A2C372	8
-	NIPPLE DRAIN	18A7W44	1
-	COUPLING DRAIN	11A7W4	1
-	PLUG DRAIN	30A7S5	1
6	GASKET - COVER	WIN-7280-T1	1
71	STUD DIST PC & GUIDE	90A3C06075	8
-	PLUG	30A7S6	1
-	HOUSING - MB COMPLETE	3171E1NT	
20	HOUSING - MB WITH BUSH	3171E1N	1
-	BUSHING	-	-
-	PIPE - PLUG	31A7S4	2
25	DOWEL PIN OIL - PUMP	17A13A141	1
-	PLATE - ROTATION	8A16X34B	1
-	SCREW - DRIVE	122A2S57	2
8	CAPSCREW - MB HSG.	35A2D386	2
23	O-RING MB HSG.	20A11CM457	1
26	ELBOW - MALE	75A10B20	1
32	ELBOW - BREATHER	6768C1	1
28	SPRING RELIEF VALVE	4859B1	1
29	BALL RELIEF VALVE	6457B1	1
31	FILTER OIL	6458B1	1
30	ADAPTER OIL FILTER	4765B1	1
24	CAP BREATHER	6459B1	1
-	ROD CONN & CAP COMPLETE	14277D1T	-
50	ROD - CONN & CAP	14277D1	2
51	BOLT - CONN ROD	36A2A440E	4
-	WIRE - LOCKING	X1636T	2
52	BUSHING ALIGNMENT	1W132626	4
55	BUSHING CRANK PIN	5833C1	2
56	BUSHING X-HEAD PIN	5832C1	2

All manufacturer's names, numbers, photos, product description and/or part numbers are used for reference purposes only & it is not implied that any part listed is the product of these manufacturers. Since Approvement are made from time to time, the illustration and specifications are subject to change without notice.

1. FRAME & GEAR 7" - MODEL 12 & 7 X 7 IHE5 NL

No.	Description	Ref Part No.	QTY
–	CROSSHEAD COMPLETE	A3165E1P1T	–
60	CROSS HEAD	3165E1P1	2
65	PIN X-HEAD	8498C1	2
34	PLUG-PIN	5040B1	2
–	PIPEPLUG	31A7S3	2
66	RING RETAINING	Y1040T3	4
10	HOUSING MB DRIVE END	HIN-7179	1
4	CAPSCREW FOR MB HSG.	35A2C377	8
11	GASKET FOR HSG. MB	WIN-8093	1
–	DISTANCE PC & GUIDE COMPL.	EIN-7132T	–
70	DISTANCE PC & GUIDE	EIN-7132	2
74	COVER FOR DIST PC & GUIDE	RIN-9575	4
75	GASKET FOR COVER	WIN-7281	4
73	CAPSCREW FOR COVER	35A2C372	16
35	PIPE ASSLY OIL SUCTION	–	1
–	CASE SUCTION SCREEN	4A-3188-E-1	1
–	TUBING OIL SUCTION	NSS	1.9"
–	SCREEN SUCTION	F-3188-E-1	1
–	NUT TUBE	70A10S8	4
–	GEAR OUTER	SK0C6070A	1
–	GEAR INNER	SK0C6070B	1
36	SHAFT PUMP DRIVE	5854C1	1
–	RING PUMP LOCATING	4686-B1	1
41	COVER SHAFT	4944-B-1	1
–	COVER OIL PUMP COMPL.	8141D1T	–
38	COVER OIL PUMP	8141D1N	1
–	PLUG OIL PRIMING	31A7S4	1
–	PLUG PIPE	30A7S5	1
–	ROLL PIN	25A13C289	1
39	GASKET COVER	5856C1	1
21	CAPSCREW - PUMP	35A2-C163	5
–	BUSHING COVER	WIN-1362	1
46	BUSHING MAIN BEARING	5835C1	2
–	CRANKSHAFT ASSEMBLY	EIN-8435T	–
45	CRANKSHAFT	EIN-8435	1
–	DOWEL PUMP DRIVE	17A13A330	1
40	KEY - CRANKSHAFT	11A9C432	1
12	SEAL C - SHAFT OIL	X1220T121	2

All manufacturer's names, numbers, photos, product description and/or part numbers are used for reference purposes only & it is not implied that any part listed is the product of these manufacturers. Since Approvement are made from time to time, the illustration and specifications are subject to change without notice.