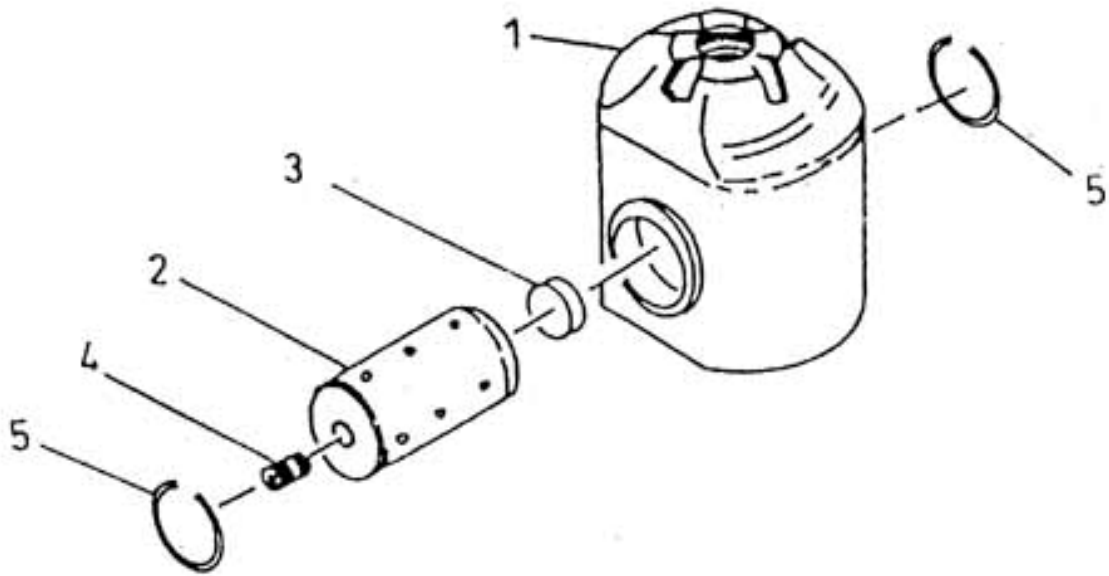


10. ASSEMBLY CROSS HEAD - MODEL 9.5 x 5 NL



10. ASSEMBLY CROSS HEAD - MODEL 9.5 x 5 NL

| No. | Description | Ref Part No. | QTY |
|-----|--------------------|--------------|-----|
| 1 | Cross Head 5" | 30559728 | 1 |
| 2 | Pin Crosshead | 34579342 | 1 |
| 3 | Plug Crosshead Pin | 30569008 | 1 |
| 4 | Plug 1/4" | 95250932 | 1 |
| 5 | Ring Retainer | 30576144IM | 2 |