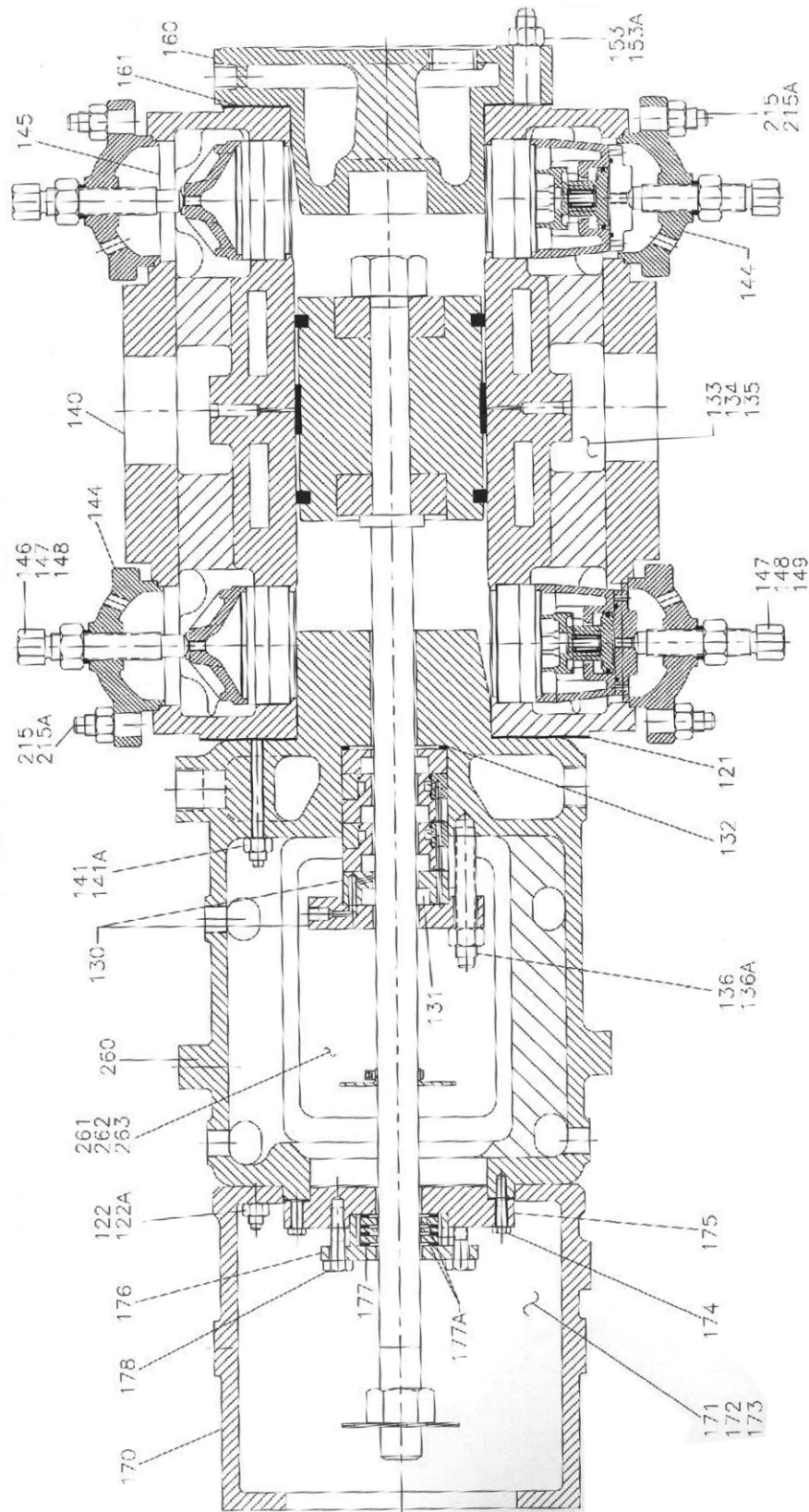


16.6 ASSEMBLY CYLINDER 4-3/4X5 ESV UL-90



All manufacturer's names, numbers, photos, product description and/or part numbers are used for reference purposes only & it is not implied that any part listed is the product of these manufacturers. Since Approvement are made from time to time, the illustration and specifications are subject to change without notice.

16.6 ASSEMBLY CYLINDER 4-3/4X5 ESV UL-90

No.	Description	Ref Part No.	QTY
	– ASSEMBLY CYLINDER 4-3/4X5 ESV UL-90	70222872A	1
140	-- CYLINDER 4.75	37133881	1
141	-- STUD 7/8IN X 8IN	95866975	6
141A	-- NUT HEX 7/8IN	95210480	6
153	-- STUD 7/8IN X 4-3/8IN	95684270	6
153A	-- NUT HEX 7/8IN	95210480	6
215	-- STUD 3/4IN X 3-1/2IN	95593653	16
215A	-- NUT HEX 3/4 UNC ESV	95077822	16
	-- PLUG PIPE SQ.HD 1/4 NPT	95033593	3
	-- PLUG PIPE SQ.HD 1/2 NPT CS BLACK	95033619	4
144	-- COVER VALVE PROC	37133584	4
145	-- GASKET VLV COVER CU SHROUDED	30550842	4
147	-- NUT HEX 1IN	95077749	2
148	-- GASKET NUT (1/8 LEAD WIRE)	37759438	1
	-- PLUG PIPE SQ.HD 1/4 NPT	95033593	2
146	-- SCREW SET HEX HEAD	30336457	2
147	-- NUT HEX 1IN	95077749	2
148	-- GASKET NUT (1/8 LEAD WIRE)	37759438	1
	-- PLUG PIPE SQ.HD– 1/4 NPT	95033593	2
	-- FLANGE CLOUSER 2-1/2IN X 300 #	97100663	2
	-- GASKET FLANGE 2-1/2IN X 300 #	94406585	2
	-- SCREW CAP HEX HEAD 3/4 X 1	95104592	8
133	-- COVER WATER CYLINDER	39535661	2
134	-- GASKET WATER COVER PHE-7	39535638	2
135	-- SCREW CAP HEX 1/2IN X 1IN	95104147	12
	-- SCREW SET HEX HEAD	30756399	2
	-- ROD PUSH 7 3/8 X 0.250 PROC	37134897	2