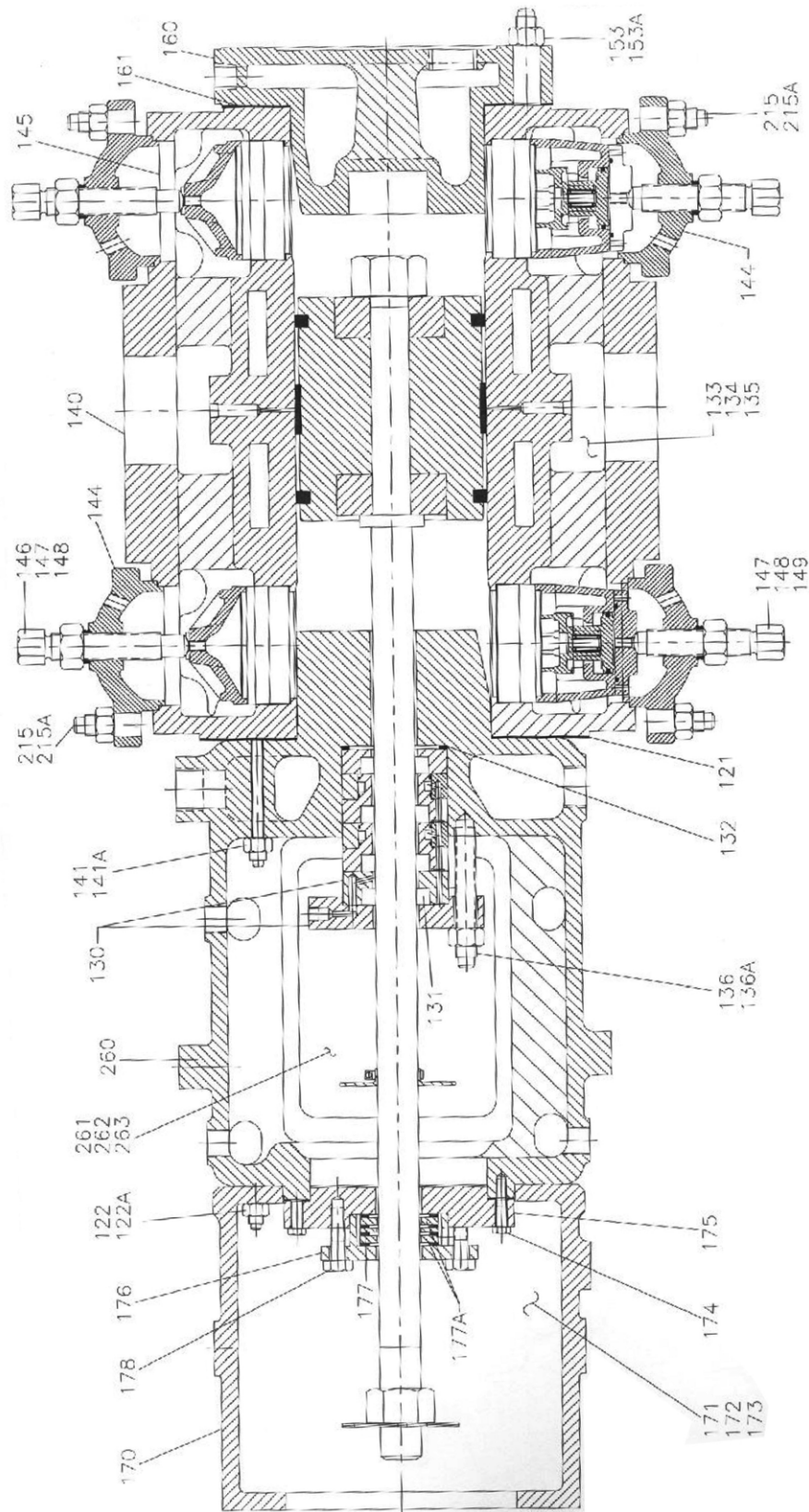


**16.3 ASSEMBLY DISTANCE PIECE 5"**



All manufacturer's names, numbers, photos, product description and/or part numbers are used for reference purposes only & it is not implied that any part listed is the product of these manufacturers. Since Approvement are made from time to time, the illustration and specifications are subject to change without notice.

## 16.3 ASSEMBLY DISTANCE PIECE 5"

No.	Description	Ref Part No.	QTY
	– ASSEMBLY DISTANCE PIECE 5" ESH LUB/NL	70269360	1
170	-- DISTANCE PIECE FOR 5 ESH	97081152	1
	-- PLUG PIPE SQ.HD 1 NPT	95101044	1
171	-- COVER DISTANCE PIECE 5ESV	30184261	1
172	-- GASKET COVER DIST PC 5 STK	30562698	1
173	-- SCREW CAP HEX HEAD 1/2IN X 3/4IN	95104121	4