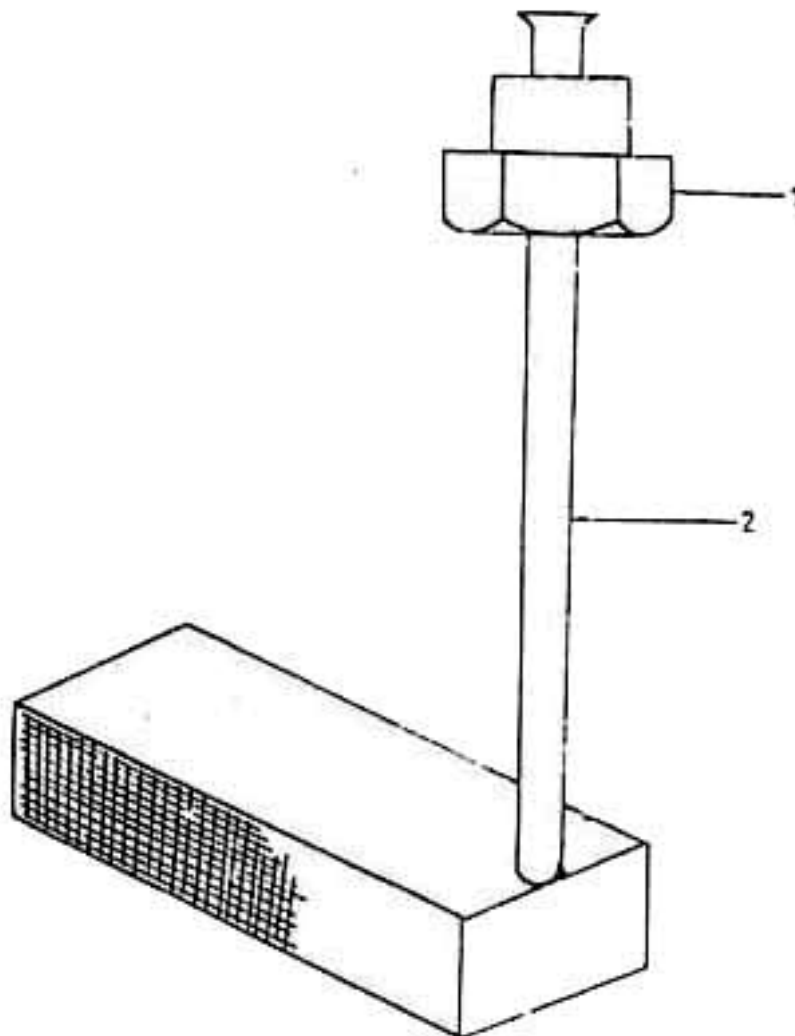


5. ASSEMBLY SUCTION PIPE FOR OIL - MODEL 9.5 x 5 LUB



All manufacturer's names, numbers, photos, product description and/or part numbers are used for reference purposes only & it is not implied that any part listed is the product of these manufacturers. Since improvement are made from time to time, the illustration and specifications are subject to change without notice.

5. ASSEMBLY SUCTION PIPE FOR OIL - MODEL 9.5 x 5 LUB

No.	Description	Ref Part No.	QTY
1	Nut Connector	97076277	1
2	Pipe With Screen For Oil Suction	94414562	1