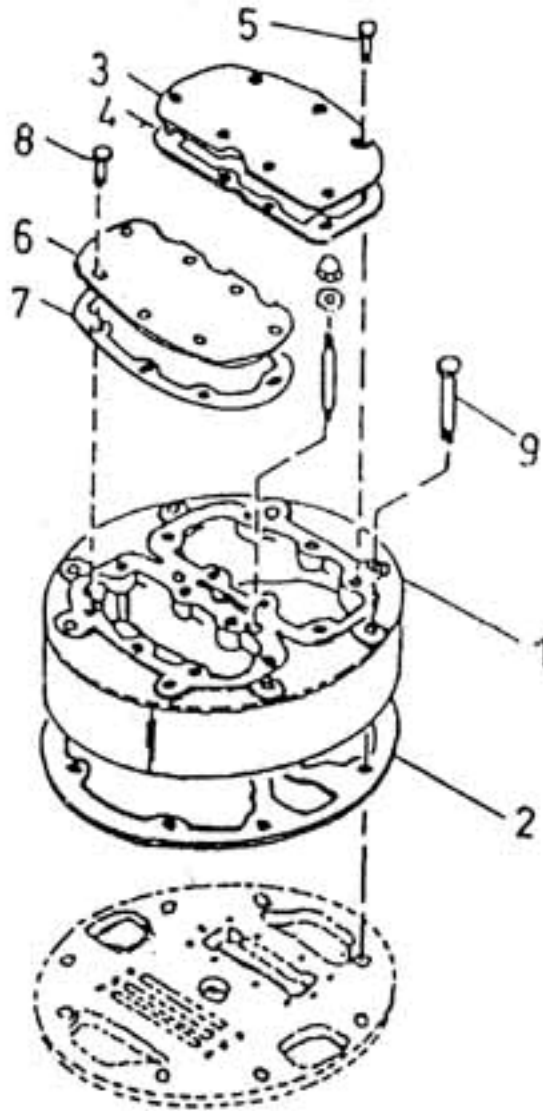


17. ASSEMBLY HEAD OUTER - MODEL 8 x 7 NL



All manufacturer's names, numbers, photos, product description and/or part numbers are used for reference purposes only & it is not implied that any part listed is the product of these manufacturers. Since Approvement are made from time to time, the illustration and specifications are subject to change without notice.

17. ASSEMBLY HEAD OUTER - MODEL 8 x 7 NL

No.	Description	Ref Part No.	QTY
–	Assembly Head Outer	37013182	–
1	– Head Outer	37085958	1
2	– Gasket Head Outer	39542121	1
3	– Cover Inlet Valve	37087822	1
4	– Gasket Cover Valve	39486055	1
5	– Screw Cap Hex Head 3/8" Dia	95103743	7
6	– Cover Discharge Valve	37087830	1
7	– Gasket Cover Discharge Valve	39550017	1
8	– Screw Cap Hex 1/2" Dia	95104147	7
9	– Screw Cap Outer Head	37795200	8