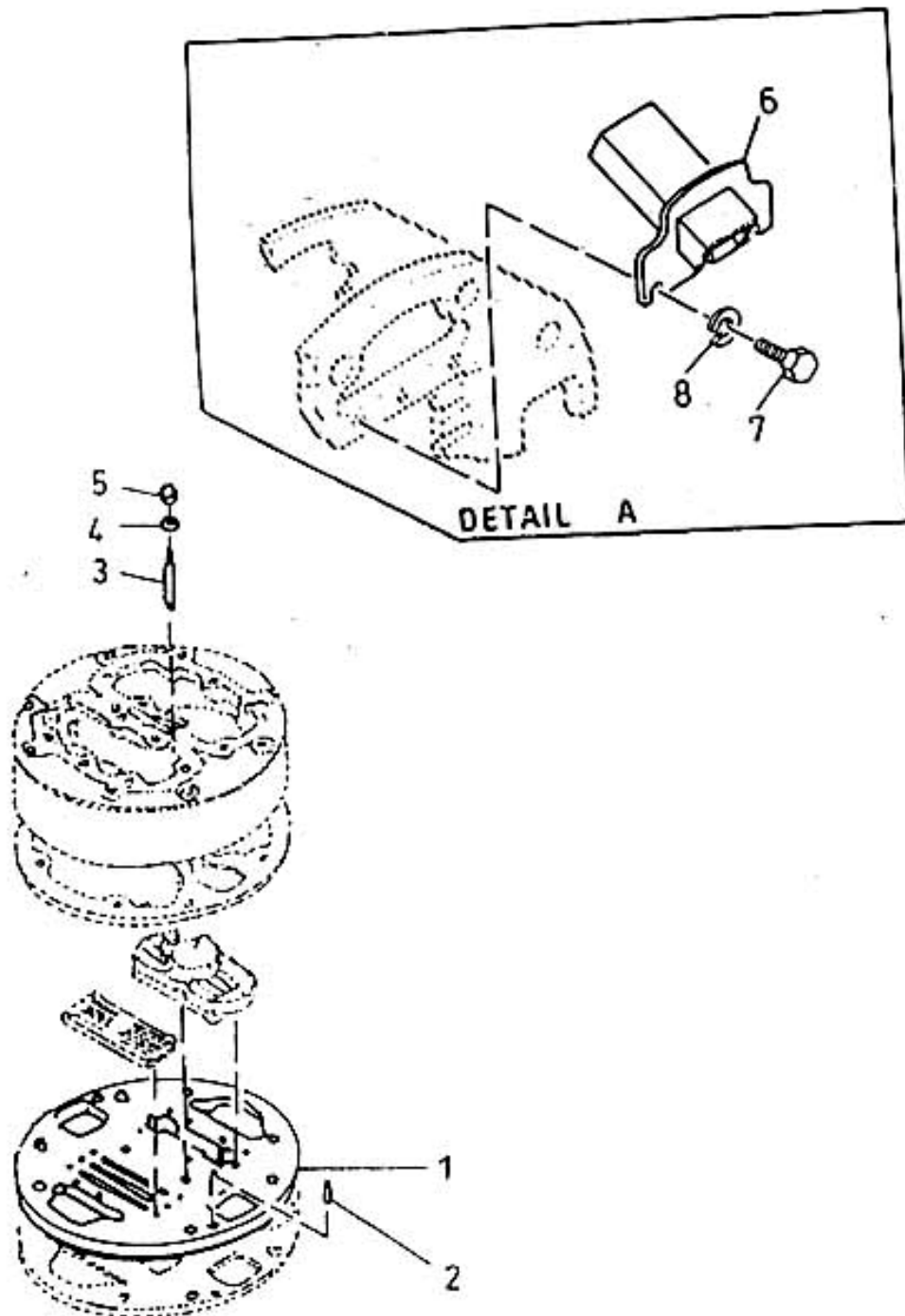


# 15. ASSEMBLY PLATE PORT OUTER END - MODEL 9 x 7 NL



All manufacturer's names, numbers, photos, product description and/or part numbers are used for reference purposes only & it is not implied that any part listed is the product of these manufacturers. Since Approvement are made from time to time, the illustration and specifications are subject to change without notice.

## 15. ASSEMBLY PLATE PORT OUTER END - MODEL 9 x 7 NL

No.	Description	Ref Part No.	QTY
–	Assembly Plate Port Outer End	70223268	–
1	– Plate Port Outer End	31204076	1
2	– Pin Roll 3/8" X 1-3/4"	95098703	2
3	– Stud 1/2" X 5-1/2"	95211892	2
4	– Gasket Copper Washer 1/2"	30756068	2
5	– Nut Cap 1/2"	95108239	2
6	– Choke Tube	30699128	1
7	– Screw Cap Hex Head 3/8" X 3/4"	95103743	2
8	– Washer Spring 3/8	95081857	2

All manufacturer's names, numbers, photos, product description and/or part numbers are used for reference purposes only & it is not implied that any part listed is the product of these manufacturers. Since improvement are made from time to time, the illustration and specifications are subject to change without notice.