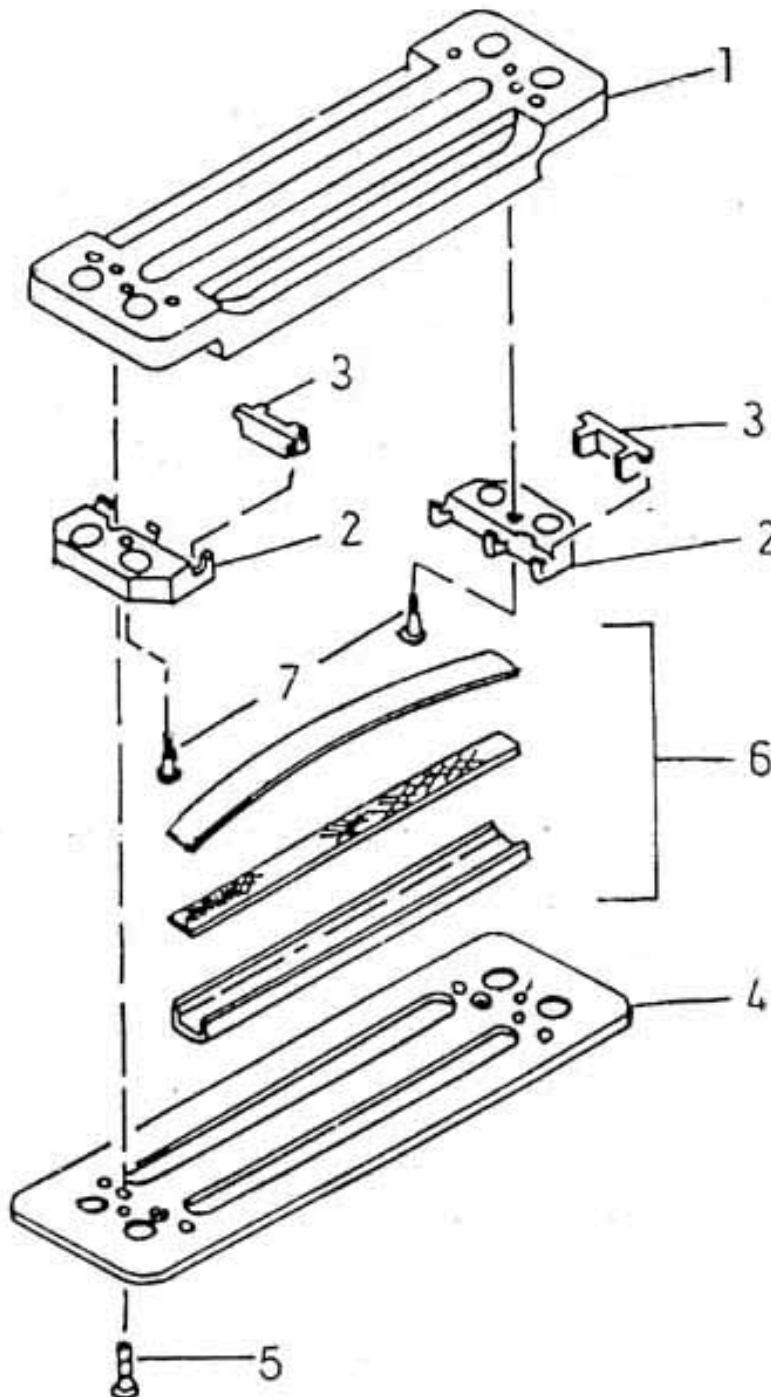


24. VALVE DISCHARGE - MODEL 9.5 x 7 NL



All manufacturer's names, numbers, photos, product description and/or part numbers are used for reference purposes only & it is not implied that any part listed is the product of these manufacturers. Since Approvement are made from time to time, the illustration and specifications are subject to change without notice.

24. VALVE DISCHARGE - MODEL 9.5 x 7 NL

No.	Description	Ref Part No.	QTY
–	Valve Discharge	37022829	–
1	– Stop Plate	31206303	1
2	– Holder Guide	31535867IM	2
3	– Guide Valve	37041324	6
4	– Seat Plate	30661995IM	1
5	– Screw Machine	95110763	2
6	– Channel & Spring Set	30635064IM	1
7	– Screw Guide	31208549IM	4
–	– Holder Guide Centre	37025483IM	1