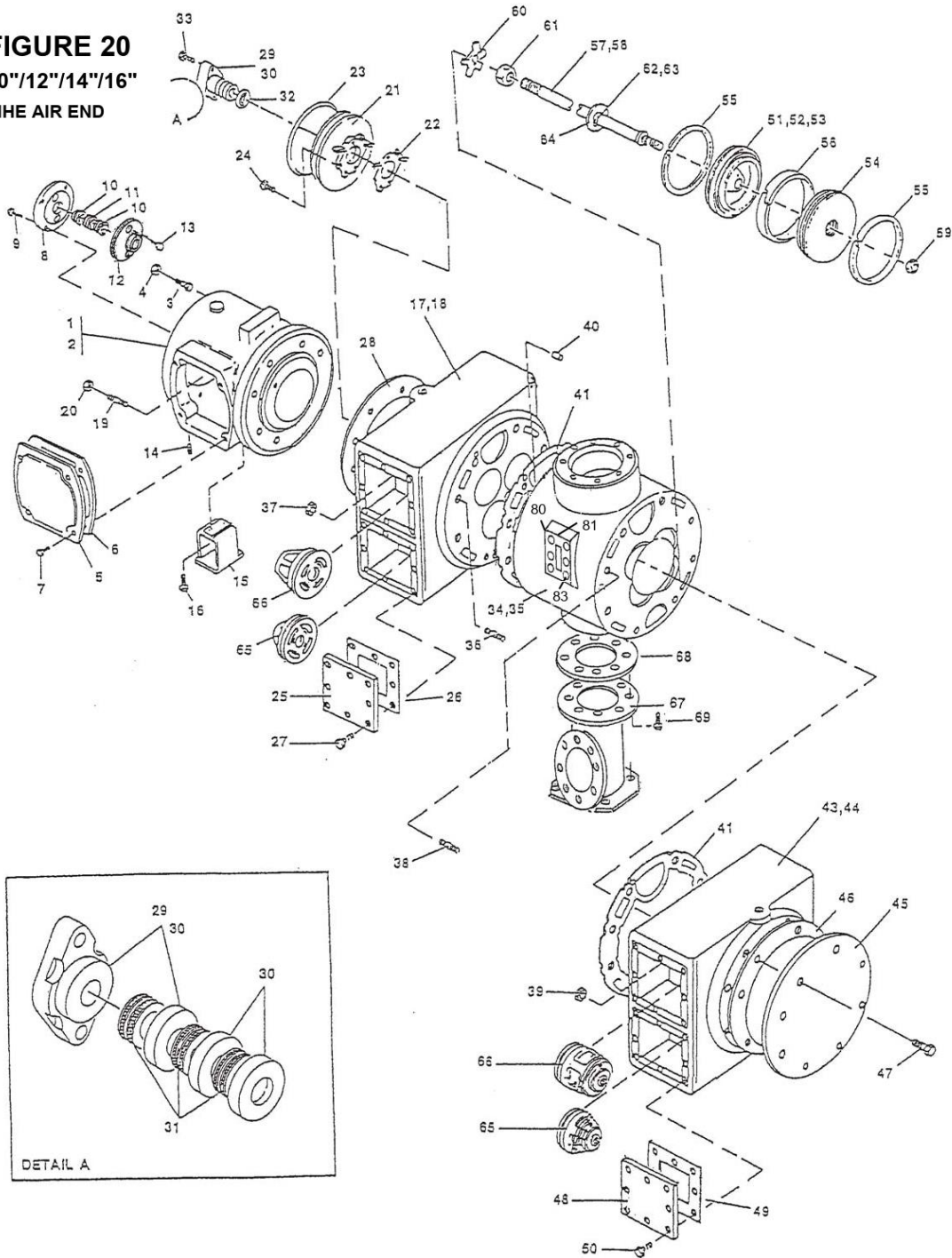


**5 ASSEMBLY PACKING- MODEL - 14 & 14 X 7 PHE NL**

**FIGURE 20**  
**10"/12"/14"/16"**  
**IHE AIR END**



## 5 ASSEMBLY PACKING- MODEL - 14 & 14 X 7 PHE NL

Sr.No	Description	Ref Part Nos	Qty
-	. . <b>ASSEMBLY PACKING METALLIC</b>	<b>70223177</b>	2
29	. . . FLANGE PACKING CASE	97071294	1
30	. . . CUP PACKING CASE	97071302	2
30	. . . CUP PACKING CASE END	97071310	1
31	. . . RING PACKING	95062469	3
32	. . . GASKET PACKING CASE	39312962	1
33	. . . SCREW CAP HEX HEAD 5/8 X 3	95104469	2
-	. . <b>ASSEMBLY DISTANCE PIECE IHE</b>	<b>97075626</b>	2
-	. . . PLATE PARTITION	37133402	1
1	. . . DISTANCE PIECE	97075634	1
5	. . . COVER DISTANCE PIECE IHE/PHE	39878046	1
6	. . . GASKET COVER DISTANCE PIECE	30562664	1
7	. . . SCREW CAP HEX 1/2INX 1IN	95104147	8
8	. . . PLATE PARTITION PHE	70405832	1
-	. . . SCREW CAP HEX 1/2INX 1IN	95104147W	8
-	. . . SCREW CAP HEX HEAD 1/2 X 1-3/4 LG , GR = 5	95104188	4
12	. . . GLAND 7 STK ESH OIL SCRAPER	30477632	1
13	. . . SCREW CAP HEX HEAD 3/8 X 1.5 " LG GRADE 5	95103792	2
-	. . . SCREW CAP HEX HEAD 3/4 X 2-3/4	95104659W	8
10	. . . RING SCRAPPER-1.5 INCH ROD	54491378IM	2
11	. . . RING SCRAPPER-1.5 INCH ROD	54491386IM	1
-	. . . SCREW CAP HEX HEAD 3/4 X 2-3/4	95104659	8
-	. . . NUT HEX 3/4 UNC ESV	95077822	8
-	. . <b>ASSEMBLY HEAD FRAME 14 X 7 IHE</b>	<b>70414602</b>	2
18	. . . HEAD FRAME WITH STUFG.BOX14X7IHECOMPL	70414636	1
25	. . . PLATE VALVE (IN/DIS) COVER IHE	97073241	4
26	. . . GASKET COVER VALVE 10 IN.	39488358	4
27	. . . SCREW CAP HEX HEAD 1/2 X 1-1/4 HT	95053047	32
-	. . . STUD 3/4 X 3-1/4	95737417	8
28	. . . GASKET FRAME HEAD	40514507	1
-	. . . NUT HEX 3/4 UNC ESV	95077822	8
-	. . . PLUG PIPE SQ.HD 1/2 NPT CS BLACK	95033619	2
-	. . <b>ASSEMBLY CYLINDER 14 X 7 IHE</b>	<b>70417621</b>	2
35	. . . CYLINDER 14 IHE	70412077	1
-	. . . COVER WATER CYLINDER	39535661	2
-	. . . GASKET WATER COVER PHE-7	39535638	2
-	. . . SCREW CAP HEX 1/2INX 1IN	95104147	12
41	. . . GASKET CYLINDER 14	70412697	2
-	. . . PLUG PIPE SQ.HD 1/2 NPT CS BLACK	95033619	4
36	. . . STUD 1 X 4	95594487	8
37	. . . NUT HEX 1IN	95077749	8
-	. . . PLUG SP LUBRICATOR HOLE	30510069	2
-	. . . FOOTPIECE CYLINDER	30187926	1
-	. . . GASKET FLANGE 6IN X 150#	39452354	2
69	. . . BOLT HEX HEAD 3/4IN X 2IN	95035440	8
-	. . . SPACER FOOT PIECE	30199087	1
-	. . . PLATE SOLE IHE	30194989	1

## 5 ASSEMBLY PACKING- MODEL - 14 & 14 X 7 PHE NL

–	. . . SCREW CAP HEX HEAD 3/4 X 1-3/4	95104642	4
40	. . . PIN ROLL 3/8 X 1	95098687	2
38	. . . STUD 1 X 4	95594487	8
39	. . . NUT HEX 1IN	95077749	8
–	. . . FLANGE CLOSURE 6IN X 150#	97100499	2
–	. . . VALVE DRAIN 1/4 NPT	94426210	1
–	. . . NIPPLE PIPE 1/4IN X 2IN	95242541	2
–	. . . NIPPLE 1/4 X 6	95691010	2
–	. . <b>ASSEMBLY HEAD OUTER 14 X 7 IHE</b>	<b>70414628</b>	2
44	. . . HEAD OUTER 14 IHE	70412085	1
45	. . . COVER FRAME	97073233	1
46	. . . GASKET WATER COVER IHE OTR HD	39535232	1
47	. . . SCREW CAP HEX HEAD 3/4 X 1	95104592	8
48	. . . PLATE VALVE (IN/DIS) COVER IHE	97073241	4
49	. . . GASKET COVER VALVE 10 IN.	39488358	4
50	. . . SCREW CAP HEX HEAD 1/2 X 1-1/4 HT	95053047	32
–	. . . PLUG PIPE SQ.HD.3/4"NPT CS BLACK	95002143	2
–	. . . PLUG PIPE SQ.HD 1/2 NPT CS BLACK	95033619	1
–	. . <b>ASSEMBLY PISTON 14 X 7 IHE NL</b>	<b>70265913</b>	2
53/54	. . . PISTON COMPLETE 14 X 7 IHE NL	70404132	1
55	. . . RING PISTON 14	95215869	2
56	. . . RING WEARING 14 IN	70210745	1
–	. . . COLLAR MINOVAR	97070197	1
–	. . <b>ASSEMBLY ROD PISTON 14 X 7 IHE</b>	<b>70265129</b>	2
58	. . . ROD PISTON 14X7 PHE NL LIQ. NIT.	70402565	1
59	. . . NUT PISTON ROD	97074009	1
61	. . . NUT JAM 7 INCH STROKE	30565675	1
60	. . . WASHER LOCK STAR 7 STK	30589568	1
–	. . . WASHER PISTON ROD NUT	97073076	1
–	. . <b>PIPING FAU</b>	<b>70417084</b>	1
–	. . . ELBOW MALE 3/8T X 1/8 NPT	70316625	8
–	. . . TEE UNION 3/8T X 3/8T X 3/8T	70316609	6
–	. . . FITTING TANK IHE FOR 3/8 TUBE	70409198	4
–	. . . STUD VLV AUX	70417019	1
–	. . . TEE REDUCING 1/2 X 1/2 X 3/8	97057848	1
–	. . . REDUCER BUSHING 1/2 NPT X 1/4 NPT	95002044	1
–	. . . ELBOW MALE 3/8T X 1/4 NPT	70316617	1
–	. . . PLUG PIPE SQ.HD. 1/4 NPT	95033593	1
–	. . . TUBE SS SEAMLESS 3/8X.035	94468212	50
–	. . . VALVE AUX COMP 30-59 PSIG	37121647	1
–	. . . CLAMP FOR TUBE CLIP	70404223	2
–	. . . CLIP TUBE FOR 1 TUBE 3/8	70409602	2
–	. . <b>ASSEMBLY GAUGE MOUNTING SINGLE STG.</b>	<b>70265046</b>	1
–	. . . PANEL GAUGE	97106025	1
–	. . . GAUGE PRESSURE 0-7 KG/CM SQ G	70442546	2
–	. . . CONNECTOR MALE 1/4T X 1/4 NPT	70230487	2
–	. . . COUPLING FULL 1/4 NPTX3000# SA105	95446639	2
–	. . . SCREW SET HEX HEAD 1/4 X 1/2 UNC	95103701	3

## 5 ASSEMBLY PACKING- MODEL - 14 & 14 X 7 PHE NL

-	. . . WASHER FLAT 1/4	95094298	3
-	. . . WASHER LOCK 1/4	95081873	3
-	. . . ELBOW MALE 1/4T X 1/4 NPT	70219795	2
-	. . . TUBE 1/4 X 0.035 SS SEAMLESS	94468261	1
-	. . . DAMPENER PULSATION SS304, 0-250 KG/CM2 G	17295510	1
-	. . <b>NAMEPLATE SET</b>	<b>94472503</b>	1
-	. . . NAMEPLATE	40036519	2
-	. . . PLATE NL INSTRUCTIONS	40074775	2
-	. . . SCREW MACHINE 0.114" X 0.25"	39175070	20
-	. . . NAMEPLATE FOR HEAT EXCHANGER	70434857	1
-	. . <b>ASSEMBLY STOP OIL PLATE,IHE</b>	<b>70325246</b>	2
62	. . . PLATE OIL STOP	30253025	1
63	. . . CLAMP	95235131	1
67	. . FOOTPIECE IHE	97073118	2
69	. . SCREW CAP HEX HEAD 5/8 X 1-1/2	95104436	4
-	. SCREW CAP HEX HEAD 3/4 X 6	95104766	4
-	. NUT HEX 3/4 UNC ESV	95077822	4
-	. WASHER SPRING 3/4 (LIGHT)	95064739	4
-	. WASHER PLAIN-3/4 THK-0.148	95069571	4
-	. CONTROL PANEL, RELAY BASED, 4 FAULT, 215HP	17328634	1
-	. <b>ASSEMBLY MOTOR , DRIVE PARTS 215 HP</b>	<b>17328428</b>	1
-	. . MOTOR ELECTRIC 215HP 415VAC 50HZ SF1.0 TEFC	17310004	1
-	. . SLIDE RAIL 32 FABRICATED	70429683	1
-	. . WASHER 2IN X 1/8 THK	70422035	16
-	. . SCREW CAP HEX HEAD 1"X 4.5" LONG	95105151	8
-	. . SHEAVE V 30IN WITH BUSH & CAP SCREW	70424643	1
-	. . BELT SPC4000	97109698	6
-	. . PULLEY MOTOR 180HP 4P 50HZ MOTORSHAFT DIA 90MM	70465620	1
-	. . <b>ASSEMBLY THIRD BRG FOR 30.75IN HT M/C</b>	<b>70429139</b>	1
-	. . . SHAFT ADAPTER FOR PEDESTAL BRG.	97057897	1
-	. . . STUD 5/8INX3-1/4IN ASTM A307 GR B7	95275384	8
-	. . . NUT HEX 5/8 UNC	95077814	8
-	. . . WASHER SPRING 5/8	95081790	8
-	. . . BLOCK PLUMMER	97057905	1
-	. . . BEARING NTN 22220 BK	70233291IM	1
-	. . . SLEEVE ADAPTER/NUT, H320	70220124	1
-	. . . PLATE BACKUP	97057939	1
-	. . . PEDESTAL FABRICATED PEPSICO	70429147	1
-	. . . SCREW CAP HEX HEAD 7/8 X 4	95104923	4
-	. . . SCREW CAP HEX HEAD 3/4 X 2-3/4	95104659	4
-	. . . SCREW CAP HEX HEAD 7/8 X 3-1/2	95104907	2
-	. . . PIN ROLL 3/8 X 2-1/2 LONG	70415633	4
-	. . . WASHER SPRING 7/8	95043162	2
-	. . . WASHER SPRING 3/4 (LIGHT)	95064739	4
-	. . . PLATE SIDE	70421375	2
-	. . . SCREW CAP HEX HEAD 7/8 X 2	95104857	4
-	. . . WASHER SPRING 7/8	95043162	4
-	. . . SCREW CAP HEX HEAD 3/4 X 1-1/2	95104634	2

## 5 ASSEMBLY PACKING- MODEL - 14 & 14 X 7 PHE NL

-	. . . SHIM 40 GAUGE IHE	97057970	10
-	. . . SHIM 44 GAUGE IHE	97057988	10
-	. . . WASHER SPRING 5/8	95081790	3
-	. . . SHIM 20 GAUGE IHE	70419155	10
-	. . . SHIM 30 GAUGE IHE	70419163	10
-	. . . SHIM 10 GAUGE IHE	70419171	10
-	. . . SCREW CAP HEX HEAD 7/8 X 4-1/2	95104949	2
-	. . GUARD BELT 14 & 14 X 7 PHE7 NL PKG B250310	17310616	1
-	. AFTERCOOLER VERTICAL IS- 2825 14 & 14 X 7 IHE LUB	17292780	1
-	. VALVE SAFETY 2IN SET AT 60 PSIG	70412648	1
-	. SCREW CAP HEX HEAD 3/4 X 2-3/4	95104659	8
-	. NUT HEX 3/4 UNC ESV	95077822	16
-	. HEADER 14 & 14 X 7 IHE LUB PKG (OUTLET)	17292798	1
-	. <b>ASSEMBLY GAS PIPING DISCH. HEADER TO A/C</b>	<b>17293937</b>	1
-	. . FLANGE 6INX 150 # SORF SERR,SA105	95254207	2
-	. . PIPE 6IN NB SCH40(FT)A106GRB,SEAMLS	70228986	3
-	. . ELBOW 6X90 DEG LR BW SCH40 A234 GR WPB CS	95247276	1
-	. <b>TUBING FOR PRESSURE GAUGES</b>	<b>70446356</b>	1
-	. . COUPLING FULL 1/2IN NPTX3000# SA105	95446647	3
-	. . REDUCER BUSHING 3/4 NPT X 1/2 NPT	95056032	5
-	. . TUBE SS SEAMLESS 3/8X.035	94468212	30
-	. . ELBOW MALE 3/8T X 3/8 NPT	70409156	3
-	. . CONNECTOR MALE 3/8T X 1/4 NPT	70316633	1
-	. . UNION 3/8T X 3/8T	70316583	2
-	. . CLIP TUBE FOR 2 TUBES 3/8	70409610	8
-	. . CLIP TUBE FOR 3 TUBES 3/8	70409628	10
-	. . CLIP TUBE FOR 4 TUBES 3/8	70409636	6
-	. <b>TUBING &amp; CABLING FOR U/L &amp; INST.</b>	<b>70442801A</b>	1
-	. . FILTER IN/OUT CONN1/2IN NPTF	94488376	1
-	. . ELBOW 1/2	95080693	2
-	. . VALVE ISOLATION 1/2IN NPT	70349725	1
-	. . CONNECTOR MALE 1/2T X 1/2 NPT	70435615	6
-	. . UNION 1/2T X 1/2T	70435631	2
-	. . ELBOW MALE 3/8T X 1/4 NPT	70316617	8
-	. . CONNECTOR MALE 3/8T X 1/4 NPT	70316633	6
-	. . TEE UNION 3/8T X 3/8T X 3/8T	70316609	8
-	. . CONNECTOR 1/2NPTX3/8TUBE	95273637	6
-	. . ELBOW MALE 3/8T X 1/8 NPT	70316625	4
-	. . TUBE 1/2 ODX.035 THK, SS304 WELDED	70234323	65
-	. . TUBE SS SEAMLESS 3/8X.035	94468212	65
-	. . COUPLING FULL 1/2IN NPTX3000# SA105	95446647	4
-	. . UNION 3/8T X 3/8T	70316583	6
-	. . CLIP TUBE FOR 2 TUBES 3/8	70409610	10
-	. . CLIP TUBE FOR 3 TUBES 3/8	70409628	8
-	. . CLIP TUBE FOR 4 TUBES 3/8	70409636	6
-	. . CABLE CONTROL 2C*1.5SQ.MM,FLEXIBLE	17261678	50
-	. . TRAY CABLE 6 W X 3 H X 4 FT LONG	70430574	2
-	. . TRAY CABLE 4 W X 3 H X 4 FT LONG	70430582	2

## 5 ASSEMBLY PACKING- MODEL - 14 & 14 X 7 PHE NL

-	. . TRAY CABLE 10 W X 3 H X 4 FT LONG	70430590	1
-	. . TRAY CABLE 2 W X 2 H X 2 MT LONG	70430608	2
-	<b>. ASSEMBLY FILTER AIR 14 X 14 X 7 IHE S-15 NL PKG</b>	<b>17311259</b>	1
-	. . FILTER SUCTION AIR 750 CFM	70230586	2
-	. . SILENCER FOR AIR	94415734	2
-	. . GASKET FLANGE 6IN X 150#	39452354	2
-	. . BOLT HEX HEAD 3/4IN X 2IN	95035440	16
-	. . GAUGE PRESSURE -760MM HG.T03KG/CM^2	94437340	2
-	<b>. ASSEMBLY WATER PIPING /TUBING 14 &amp; 14 X 7 IHE</b>	<b>17311242</b>	1
-	. . FLANGE 3 X 150# SORF SERR. SA105	95254272	4
-	. . GASKET FLANGE 3 X 150# RATING	94475472	2
-	. . SCREW CAP HEX HEAD 5/8 X 3	95104469	8
-	. . NUT HEX 5/8 UNC	95077814	8
-	. . PIPE 3IN ERW BLK CLASS C	70220561	40
-	. . TEE EQ 3INBW SCH40 ASTM A234 GR WPB	95453320	2
-	. . INDICATOR SIGHT FLOW 3INX 150#	95458584	1
-	. . SWITCH PRESSURE 1/4" BSP (F)	97071229	1
-	. . CAP PIPE 3" SCH 40	95274775	2
-	. . TUBE 1/2 ODX.035 THK, SS304 WELDED	70234323	20
-	. . CONNECTOR MALE 1/2T X 1/2 NPT	70435615	20
-	. . ELBOW 90 DEG. 1TUBE X 1NPTM C.S	17273988	4
-	. . VALVE SERVICE 1"RC9 L&H	94416591	2
-	. . CROSS 1IN THREADED,MALLEABLE IRON	95058707	4
-	. . TEE 1 IN NPT	95452611	4
-	. . TEE 1/2 NPT FORGED STEEL PR 2000	95660809	12
-	. . NIPPLE PIPE 1IN X 4IN	95277489	4
-	. . NIPPLE 1/2 X 6 SCH-80 ASTM A106	95242517	10
-	. . NIPPLE 1/2" X 4" LONG	95519823	5
-	. . NIPPLE PIPE 1/2 X 3	95242566	10
-	. . ELBOW 90 DEG 1" X 1" IHE	95446399	6
-	. . ELBOW 1/2 FORGED 2000# 90 DEG	95448536	12
-	. . INDICATOR SIGHT FLOW 1 INCH	95587911	2
-	. . TUBE 1IN OD X .065 SS304 SEAMLESS	70452602	20
-	. . CONNECTOR MALE 1"TX1"NPT C.S.	17273962	8
-	. . ELBOW MALE 1/2T X 1/2 NPT	70440706	8
-	. . ELBOW UNION TUBE TO TUBE 1IN X 1IN C.S	17274028	4
-	. . REDUCER BUSHING 1IN X1/2IN BOTH NPT	95531216	16
-	. . SWITCH FLOW 3PIPE SET 280LPM	70467139	1
-	. . ELBOW 3" X 90 DEG LR BW IHE SS304	95729786	4
-	. . VALVE GLOBE 3"-150#	97078596	1
-	. GAUGE PRESSURE.0-6 KG/CM^2,4"DIAL,1/2"NPT	70270897	2
-	. SWITCH TEMPERATURE 120-215C,5M CAP	94476371	1
-	. SWITCH PRESSURE 1/4" BSP (F)	97071229	1
-	<b>. ASSEMBLY BYPASS SYSTEM FOR ADT 110 V AC</b>	<b>17284688</b>	1
-	. . VALVE BALL 1/2IN-1/2TX1/2T-800#	70441910	2
-	. . TRAP AUTO DRAIN TRIDENT 110V,0-15 KG/CM^2	70433594	1
-	. . CONNECTOR MALE 3/8T X 1/8 NPT	70316641	1
-	. . TUBE 1/2 ODX.035 THK, SS304 WELDED	70234323	8

## 5 ASSEMBLY PACKING- MODEL - 14 & 14 X 7 PHE NL

–	. . CONNECTOR MALE 1/2T X 1/2 NPT	70435615	5
–	. . TEE UNION 1/2T X 1/2T X 1/2T	70435623	1
–	. . ELBOW MALE 1/2T X 1/2 NPT	70440706	1
–	. . TUBE SS SEAMLESS 3/8X.035	94468212	6
–	. . COUPLING FULL 1/2IN NPTX3000# SA105	95446647	2
–	. . STRAINER 1/2 IN	37073194	1

All manufacturer's names, numbers, photos, product description and/or part numbers are used for reference purposes only & it is not implied that any part listed is the product of these manufacturers. Since improvement are made from time to time, the illustration and specifications are subject to change without notice.