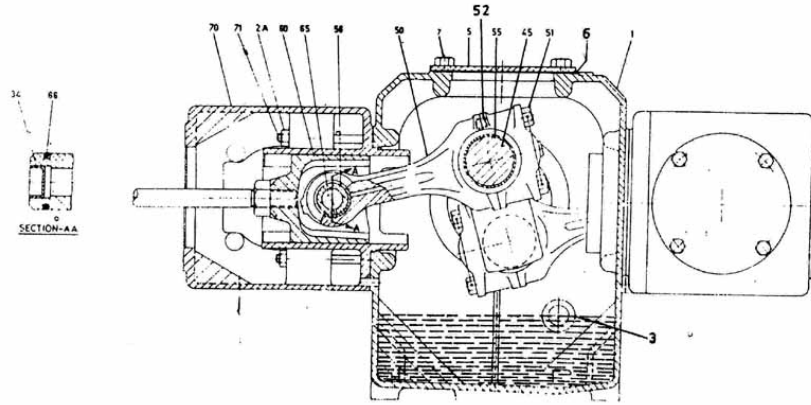
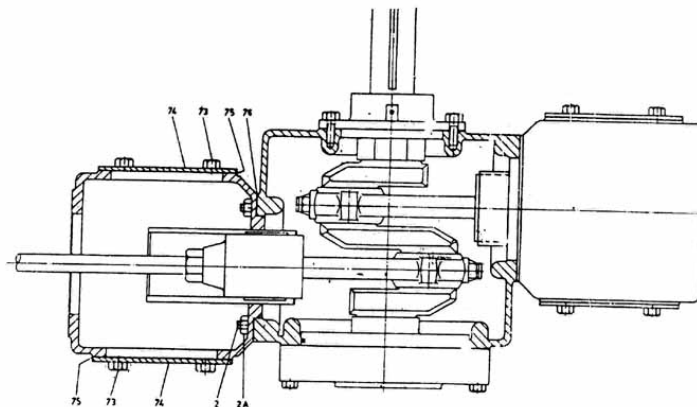
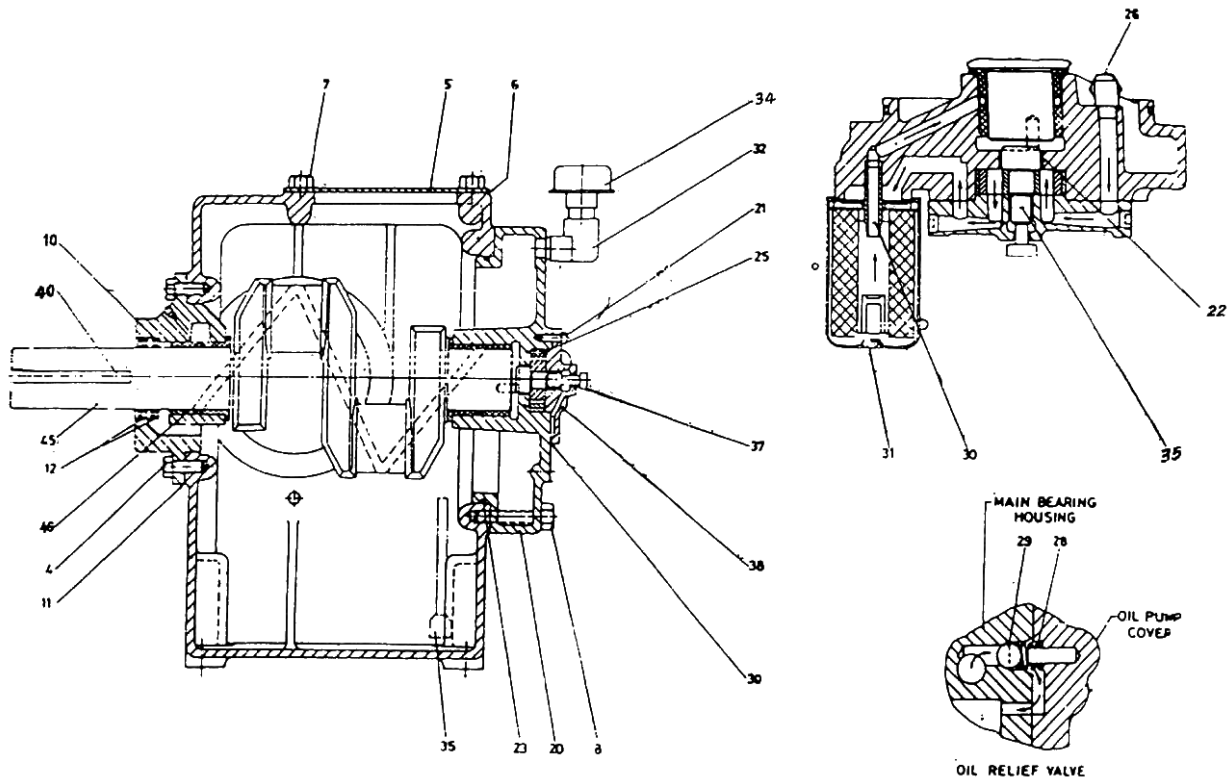


1. FRAME & GEAR COMPL. - MODEL 16 & 9B X 7 IHE NL Parts For Compressor



All manufacturer's names, numbers, photos, product description and/or part numbers are used for reference purposes only & it is not implied that any part listed is the product of these manufacturers. Since Approvement are made from time to time, the illustration and specifications are subject to change without notice.

1. FRAME & GEAR COMPL. - MODEL 16 & 9B X 7 IHE NL

No.	Description	Ref Part No.	QTY
-	FRAME & GEAR	-	-
-	FRAME COMPLETE	EIN7105T	-
1	FRAME	EIN7105	1
2	STUD DIST. PC. GUIDE	90A3C06026	8
2A	NUT FOR DIST. PC. STUD	16A4C8	16
76	GASKET - FRAME	RIN-7279NAB	2
3	GAUGE OIL LEVEL	6453B1	1
5	COVER FRAME	RIN-9575	1
7	CAP SCREW FOR COVER	35A2D372	4
-	NIPPLE DRAIN	19A7W44	1
-	COUPLING DRAIN	11A7W4	1
-	PLUG DRAIN	30A785	1
6	GASKET COVER	WIN-7281	1
71	STUD DIST. PC. GUIDE	90A3C06075	8
-	PLUG	30A786	1
-	HOUSING-MB COMPLETE	3171EINT	-
20	HOUSING-MB WITH BUSH	3171EIN	1
-	CAP	WIN20095	1
-	PIPE PLUG	31A784	2
-	PLUG	34A784	2
25	DOWEL PIN-OIL PUMP	17A13A141	1
-	PLATE ROTATION	8A16X34B	1
-	SCREW-DRIVE	122A2857	2
8	CAPSCREW MB HOUSING	35A2-D386	2
23	. "O" RING - MB HOUSING	20A11CM457	1
26	ELBOW MALE	WIN555	1
32	ELBOW BREATHER	6768C1	1
28	SPRING-RELIEF VALVE	4859B1	1
29	BALL-RELIEF VALVE	6457B1	1
31	FILTER OIL	6458B1	1
30	ADAPTOR OIL FILTER	4765B1	1
24	CAP BREATHER	6459B1	1
-	BALL-RELIEF VALVE	299A17S16	1
-	ROD-CONN & CAP COMPL	14277D1T	-
50	ROD-CONN & CAP	14277D1	2
51	BOLT-CONN ROD	36A2A440E	4
-	WIRE LOCKING	X1636T120	2
52	BUSHING ALLIGNMENT	1W132626	4

All manufacturer's names, numbers, photos, product description and/or part numbers are used for reference purposes only & it is not implied that any part listed is the product of these manufacturers. Since Approvement are made from time to time, the illustration and specifications are subject to change without notice.

1. FRAME & GEAR COMPL. - MODEL 16 & 9B X 7 IHE NL Parts For Compressor

No.	Description	Ref Part No.	QTY
55	BUSHING CRANK PIN	5833C1	2
56	BUSHING X-HEAD PIN	5832C1	2
-	CROSS HEAD COMPLETE	A3165E1P1T	-
60	CROSS HEAD	3165E1P1	2
65	PIN X-HEAD	8498C1	2
34	PLUG-PIN	5040B1	2
-	PIPE PLUG	34A783	2
66	RING RETAINING	Y1040T3-IM	4
10	HOUSING-MB DRIVE END	HIN7179	1
4	CAP SCREW FOR MB HOUSING	35A2D377	8
11	GASKET FOR HOUSING MB	WIN8093	1
-	DIST. PC & GUIDE COMPL.	EIN7132T	-
70	DIST. PC & GUIDE	EIN7132	2
74	COVER FOR DIST. PC & GUIDE	RIN9575	4
75	GASKET FOR COVER	WIN7281	4
73	CAP SCREW FOR COVER	35A2D372	16
-	PIPE ASSLY. OIL SUCT.	4A3188E1	1
-	TUBING OIL SUCTION	CU62X065W	10
-	SCREEN SUCITON	F3188E1	1
-	NUT TUBE	70A1088	1
-	GEAR OUTER	SKOC6070A	1
-	GEAR INNER	SKOC6070B	1
36	SHAFT PUMP DRIVE	5854C1	1
-	RING PUMP LOCATING	4686-B1	1
37	SEAL-OIL PUMP SHAFT	X1220T126	1
41	COVER SHAFT	4544B1	1
-	COVER OIL PUMP COMPL.	8141D1T	-
38	COVER OIL PUMP	8141D1N	1
-	PLUG OIL PRIMING	31A784	1
-	PLUG-PIPE	30A785	1
-	ROLL PIN	25A13C289	1
39	GASKET COVER	5856C1	1
-	CAP SCREW - PUMP	35A2-D163	5
-	BUSHING COVER	WIN-1362	1
-	PLUG	34A7S4	1
41	BUSHING-MAIN BEARING	5835C1	2
-	CRANK SHAFT ASSEMBLY	EIN-8435T	-
45	CRANK SHAFT	EIN-8435	1

All manufacturer's names, numbers, photos, product description and/or part numbers are used for reference purposes only & it is not implied that any part listed is the product of these manufacturers. Since Approvement are made from time to time, the illustration and specifications are subject to change without notice.

1. FRAME & GEAR COMPL. - MODEL 16 & 9B X 7 IHE NL

No.	Description	Ref Part No.	QTY
-	DOWEL PUMP DRIVE	17A13A1330	1
40	KEY-CRANK SHAFT	11A9C432	1
12	SEAL-C/SHAFT OIL	X1220T121	2
-	PLUG	30A7S6	3
-	PLUG	30A7C8	1