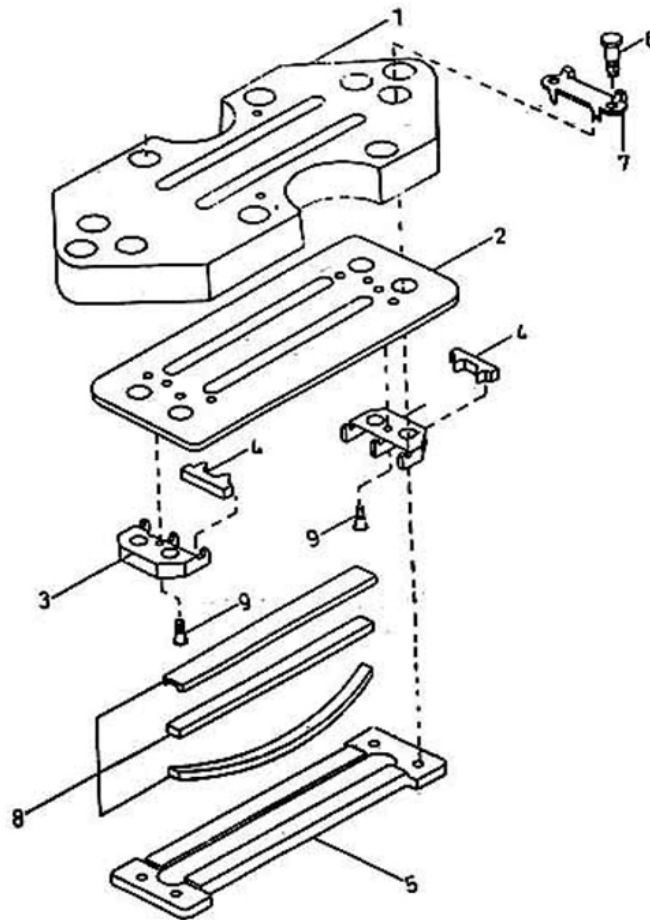


## 37020542 - ASSEMBLY VALVE INLET



No.	Description	Ref Part No.	QTY
-	<b>ASSEMBLY VALVE INLET</b>	<b>37020542</b>	-
1	- SEAT VALVE	37074739	1
2	- SEAT PLATE	37020567IM	1
3	- HOLDER GUIDE	37025517IM	2
4	- GUIDE VALVE **	37041324	4
5	- STOP PLATE	37020625	1
6	- BOLT HEX HEAD 1/4" X 1-1/2"	95105466	6
7	- WASHER LOCK	31172091	2
8	- CHANNEL & SPRING SET	37020617IM	1
9	- SCREW GUIDE	31208549IM	2

All manufacturer's names, numbers, photos, product description and/or part numbers are used for reference purposes only & it is not implied that any part listed is the product of these manufacturers. Since Approvement are made from time to time, the illustration and specifications are subject to change without notice.