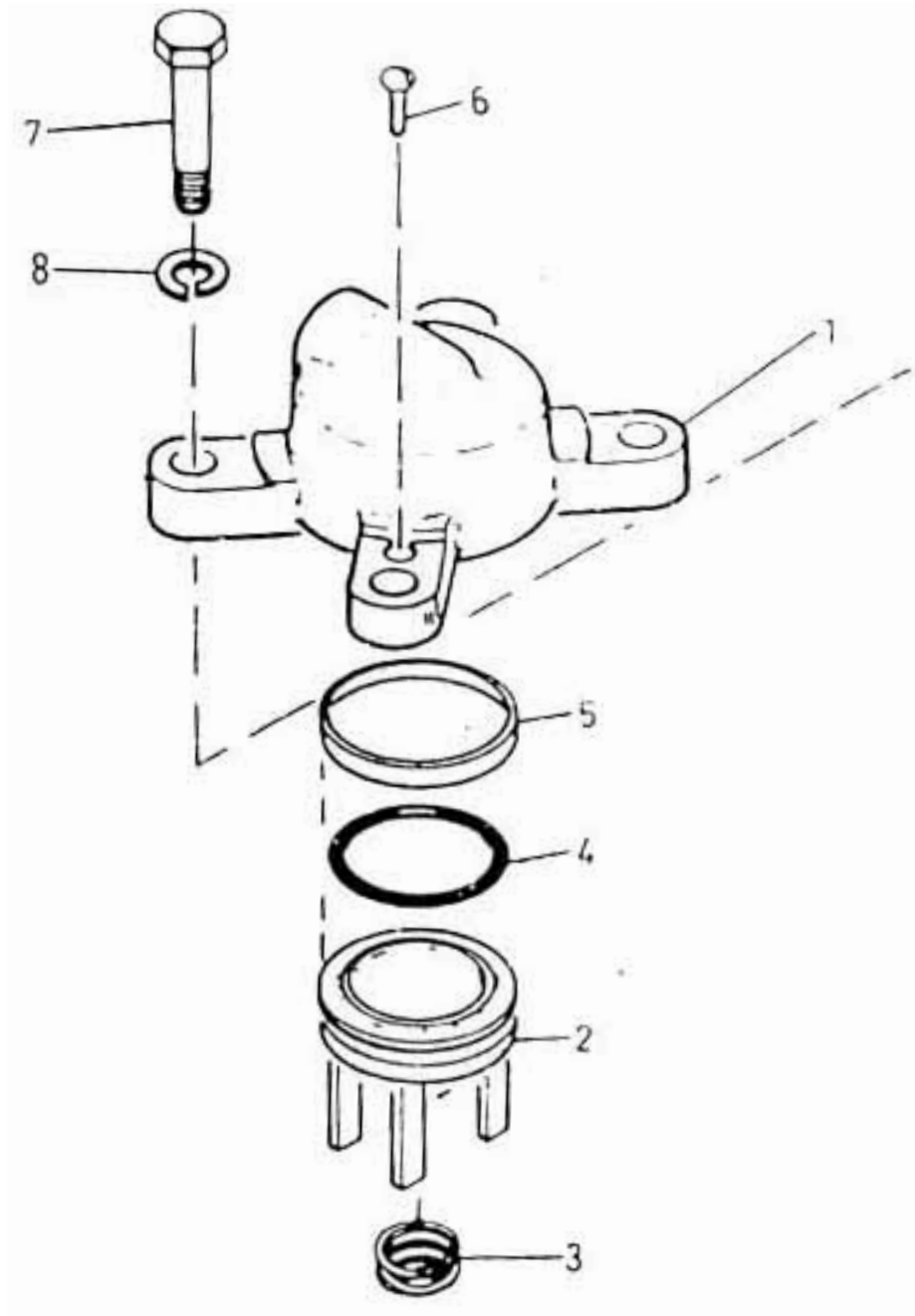


## 22. ASSEMBLY UNLOADER - MODEL 7 x 5 LUB



All manufacturer's names, numbers, photos, product description and/or part numbers are used for reference purposes only & it is not implied that any part listed is the product of these manufacturers. Since Approvement are made from time to time, the illustration and specifications are subject to change without notice.

## 22. ASSEMBLY UNLOADER - MODEL 7 x 5 LUB

No.	Description	Ref Part No.	QTY
–	Assembly Unloader	70265434	–
1	– Cage Unloader	31327190	1
2	– Plunger Unloader	30615751	1
3	– Spring Unloader	31163637	1
4	– "O" Ring 1-1/4" X 1-1/2" X 1/8"	95018164	1
5	– Ring Piston Unloader	30613236	1
6	– Screw Machine	95261707	2
7	– Screw Cap Hex Head 5/16" X 1-3/4"	70212162	4
8	– Washer Spring 5/16"	95096145	4

All manufacturer's names, numbers, photos, product description and/or part numbers are used for reference purposes only & it is not implied that any part listed is the product of these manufacturers. Since improvement are made from time to time, the illustration and specifications are subject to change without notice.