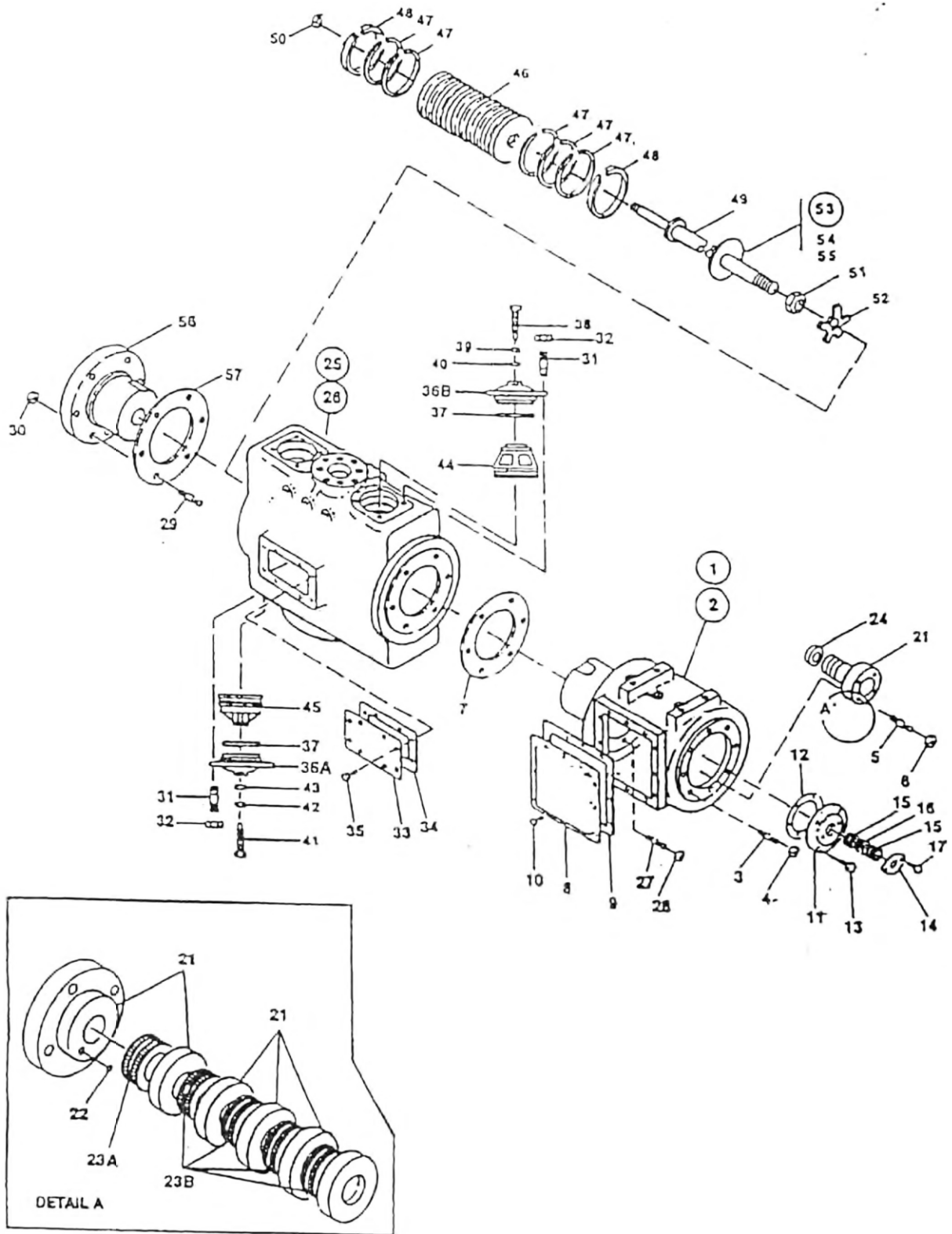


14.7 AIR END COMPLETE 5"



All manufacturer's names, numbers, photos, product description and/or part numbers are used for reference purposes only & it is not implied that any part listed is the product of these manufacturers. Since Approvement are made from time to time, the illustration and specifications are subject to change without notice.

14.7 AIR END COMPLETE 5"

No.	Description	Ref Part No.	QTY
5	AIR END COMPLETE - 5"		1
5-1	– P1ECE-FR HD & DIST	39781513	1
5-3	– STUD-FRAME HEAD	95737417	8
5-4	– NUT	95077822	8
5-5	– STUD-PACKING	95133187	4
5-6	– NUT	95077822	4
5	– PIPEPLUG	95033270	2
5	– PIPEPLUG	95101044	2
5	– PIPEPLUG	95033619	2
5	– PIPEPLUG	95002143	5
5-7	– GASKET-FRAME HEAD	39550082	1
5-8	– COVER-DIST PIECE	37133394	2
5-9	– GASKET COVER	37068293	2
5-10	– CAPSCREW-COVER	95104147	24
5-11	– PLATE-PARTITION	37133402	1
5-12	– GASKET-PART PLATE	37123171	1
5-13	– CAPSCREW-PART PLATE	95103792	4
5-14	– GLAND-OIL SCRAPER	30477632	1
5-15	– RING-SCRAPER	95009197	2
5-16	– RING-SCRAPER	95045936	1
5-17	– CAPSCREW-GLAND	95104188	2
5-21	– CASE-PACKING	33015918	1
5-22	-- O-RING	95022802	8
5	– RING & SPRING-SET	39484144	1
5-23A	-- RING-TANGENT/TANGENT	39548714	1
5-23B	-- RING-RADIAL/TANGENT	39548961	3
5-24	– GASKET-PACKING	30586127	1
5-25	– CYLINDER COMPLETE	NA	1
5-26	-- CYLINDER ASSEMBLY	39649272	1
5-27	--- STUD-FRAME HEAD	95866976	8
5-28	---- NUT	95210480	8
5-29	--- STUD-OUTER HEAD	95811891	8
5-30	---- NUT	95210480	8
5-31	--- STUD-VLV CVR	95684205	16
5-32	---- NUT	95077822	16
5-33	--- COVER-WATER	39463478	1
5	--- COVER-WATER HEATER	39479088	1
5-34	--- QASKET-WTR CVR	39535547	2
5-35	--- CAPSCREW-WTR CVR	95104147	18

All manufacturer's names, numbers, photos, product description and/or part numbers are used for reference purposes only & it is not implied that any part listed is the product of these manufacturers. Since Approvement are made from time to time, the illustration and specifications are subject to change without notice.

14.7 AIR END COMPLETE 5"

No.	Description	Ref Part No.	QTY
5	--- PIPEPLUG	95033593	4
5	--- PIPEPLUG	95033619	4
5-36A	-- COVER-VALVE INLET	39245527	2
5-36B	-- COVER-VALVE DISCHARGE	37133584	2
5-37	-- GASKET-VLV CVR	30550842	4
5-38	-- SETSCREW-DISCHARGE	30572945	2
5-39	-- NUT-SETSCREW DISCHARGE	95077749	2
5-40	-- GASKET-NUT (INCHES)	37759438	8
5	-- PIPEPLUG	95033593	2
5-41	-- SETSCREW-INLET	39245543	2
5-42	-- NUT-SETSCREW INLET	95258459	2
5-43	-- THREADSEAL	39238589	1
5	-- HOLDER-VALVE	31253834	1
5-44	-- VALVE-DISCHARGE	39245618	2
5-45	-- VALVE-INLET	39245576	2
5-46	-- PISTON	39558527	1
5-47	-- RING-PISTON SEAL	39174131	5
5-48	-- RING-WEARING	39174149	2
5-49	-- ROD-PISTON	39688399	1
5-50	-- NUT-PISTON	34578799	1
5-51	-- NUT-XHEAD JAM	30585675	1
5-52	-- WASHER-LOCK	30589568	1
5-53	-- PLATE-OIL STOP COMPLETE	37802279	1
5-54	-- PLATE-OIL STOP	30253025	1
5-55	-- CLAMP	95265131	1
5-56	-- HEAD-OUTER	94443553	1
5-57	-- GASKET-OUTER HEAD	39550082	1