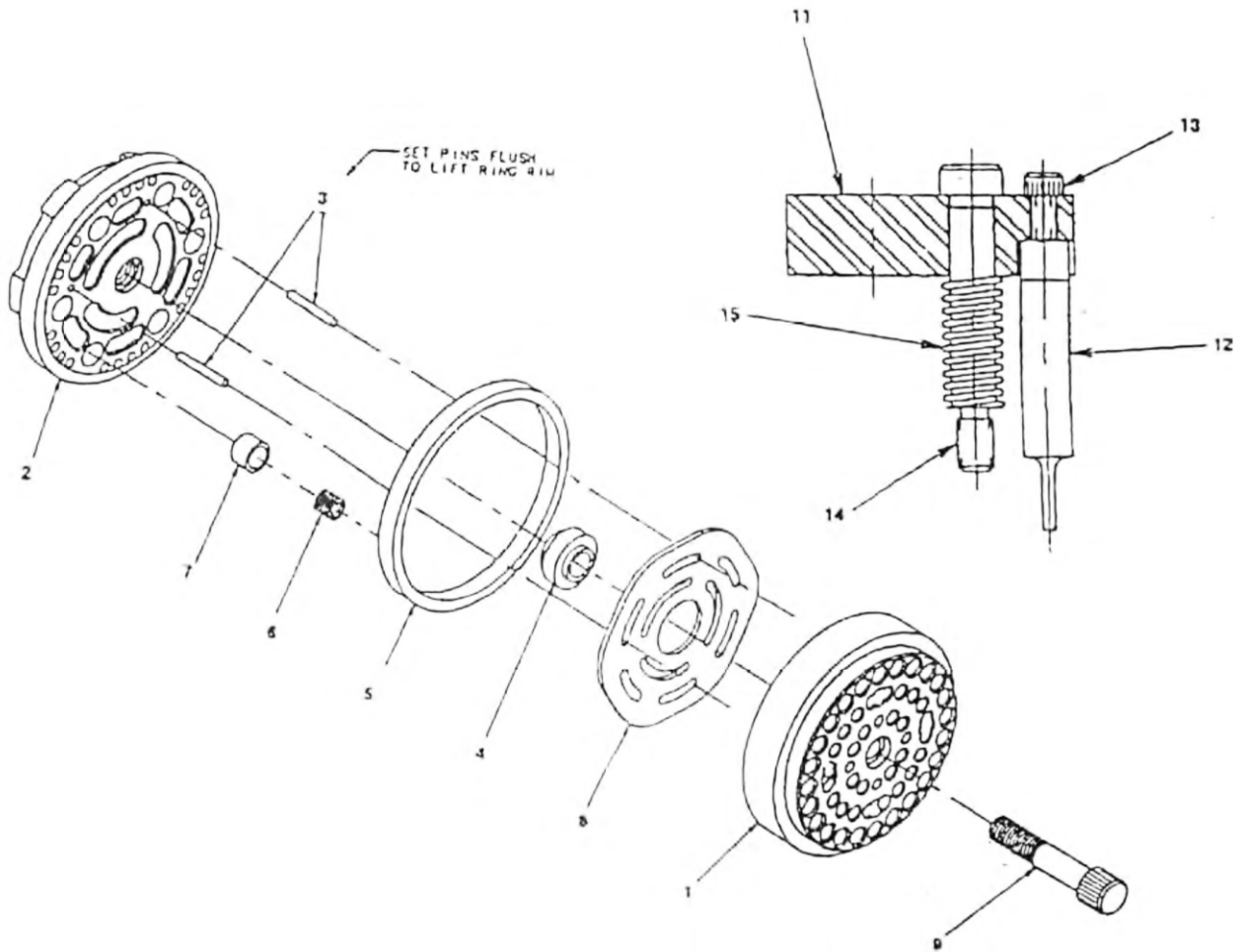


14.3 VALVE INLET COMPLETE WITH PLUNGER



All manufacturer's names, numbers, photos, product description and/or part numbers are used for reference purposes only & it is not implied that any part listed is the product of these manufacturers. Since Approvement are made from time to time, the illustration and specifications are subject to change without notice.

14.3 VALVE INLET COMPLETE WITH PLUNGER

No.	Description	Ref Part No.	QTY
8-9	VALVE INLET COMPLETE WITH PLUNGER	39245568	1
7	– VALVE INLET COMPL	39245576	1
7-1	– – SEAT	39245428	1
7-2	– – STOPPLATE	39245438	1
7-3	– – ROLLPIN	95033924	2
7-4	– – GUIDE RING	39238993	1
7-5	– – RING LIFT	39245444	1
7-6	– – SPRING RED	39235496	6
7-7	– – INSERT	39243647	6
7-8	– – PLATE VALVE	39245461	1
7-9	– – CAPSCREW	95682856	1
7-10	– PLUNGER 4-00	39245584	1
7-11	– – BODY PLUNGER	39245402	1
7-12	– – LEG PLUNGER	39245410	4
7-13	– – CAPSCREW	95633996	4
7-14	– – BOLT SHOULDER	39238548	4
7-15	– – SPRING	39238555	2
	GASKET-VLV SEAT	30650818	1