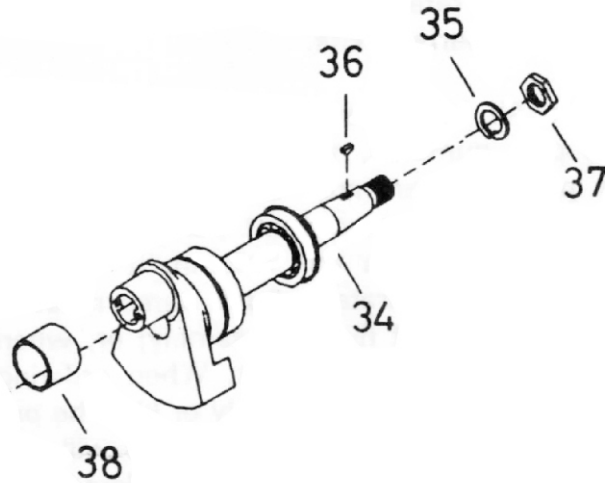


32203200* - CRANKSHAFT COMPLETE WITH BEARING & BUSHING



| No. | Description | Ref Part No. | QTY |
|-------------|--|------------------|-----|
| 1-34 | Crankshaft Complete With Bearings & Bushing | 32203200* | - |
| 1-35 | - Lockwasher, Spring 7/8" | 95043162 | 1 |
| 1-36 | - Key, woodruff | 95433173 | 1 |
| 1-37 | - Nut, V-Belt Wheel | 95098315 | 1 |
| 1-38 | - Bushing, crankpin | 30210165 | 1 |