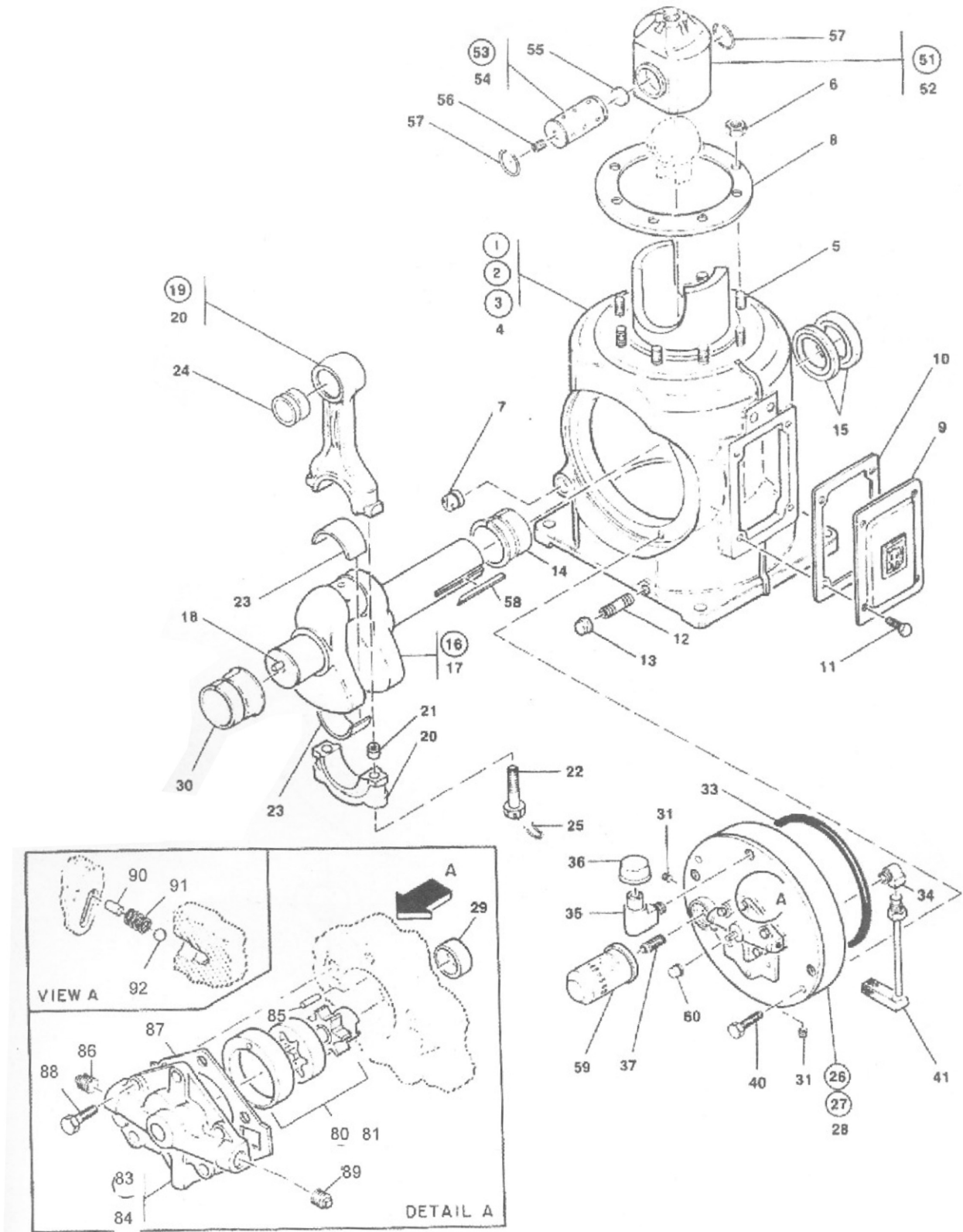


## 16.1 FRAME & RUNNING GEAR



All manufacturer's names, numbers, photos, product description and/or part numbers are used for reference purposes only & it is not implied that any part listed is the product of these manufacturers. Since Approvement are made from time to time, the illustration and specifications are subject to change without notice.

## 16.1 FRAME & RUNNING GEAR

No.	Description	Ref Part No.	QTY
	- FRAME & RUNNING GEAR 5 ESV NL	70327655	1
	-- FRAME COMPLETE	70315403	1
1	---- FRAME 5" STROKE ESV	30556401LOC	1
5	---- STUD 5/8IN X 2-1/2IN	95056180	8
6	---- NUT HEX 5/8 UNC	95077814	8
8	---- GASKET FRAME 5 STK	39550223	1
7	---- GLASS OIL LEVEL	39137245	1
9	---- COVER FRAME 5 ESV/H	39566872	1
10	---- GASKET COVER FRAME	30562235	1
11	---- SCREW CAP HEX 1/2IN X 1IN	95104147	4
12	---- NIPPLE 1/2IN X 2-1/2IN	95049177	1
13	---- PLUG PIPE SQ-HQ 1/2 NPT CS BLACK	95033619	2
	---- SEAT OIL SHAFT 2.75 X 3.375 X 0.312	54766720	2
	---- PLUG PIPE SQ-HQ 3/4" NPT CS BLACK	95002143	2
	---- PLUG 1-1/4 NPT SQ.HEAD	95033569	1
	---- CAP PIPE SCREWED 1/2 IHE	97070213	1
	-- HOUSING MAIN BEARING & OIL PUMP	70315395	1
27	---- HOUSING MAIN BRG WITH PLUGS	70411467	1
28	---- HOUSING MB WITH BUSH 5INCH ESV	37073624	1
31	---- PLUG COUNTER SHUNK 3/8IN NPT	95101705	2
	---- PLATE ROTATION 5IN ESV S.S	39516646	1
	---- SCREW MACHINE 0.114" X 0.25"	39175070	2
40	---- SCREW CAP HEX HEAD 5/8 X 3-1/4	95104477	2
33	---- O-RING 10-1/2 X 11 X 1/4	95098067	1
35	---- ELBOW MAIN BEARING HOUSING-0.50 NPT	94425162	1
35	---- BREATHER ELBOW CAST AL.	39314323	1
59	---- FILTER OIL	30472151	1
37	---- ADAPTER OIL FILTER	30179220	1
36	---- CAP BREATHER	30557888	1
14/30	---- BUSH MBH 5ESV	30557557	2
	-- ASSEMBLY SUCTION PIPE FOR OIL	30567077	1
34	---- NUT CONNECTOR	97076277	1
41	---- PIPE WITH SCREEN FOR OIL SUCTION	94414562	1
	-- ASSEMBLY OIL PUMP COVER	31165376	1
84	---- COVER LUBRICATOR OIL PUMP WITH BUSH	39863683	1
85	---- PIN DOWEL OIL PUMP 1/4DX1L	95033825	1
86	---- PLUG PIPE SQ.HD 1/2 NPT CS BLACK	95033619	1
87	---- GASKET COVER OIL PUMP	30205280	1
88	---- SCREW CAP HEX HEAD 7/16 X 1 INCH	95104006IM	5

All manufacturer's names, numbers, photos, product description and/or part numbers are used for reference purposes only & it is not implied that any part listed is the product of these manufacturers. Since Approvement are made from time to time, the illustration and specifications are subject to change without notice.

## 16.1 FRAME & RUNNING GEAR

No.	Description	Ref Part No.	QTY
89	--- PLUG COUNTER SHUNK 3/8IN NPT	95101705	1
90	--- PIN ROLL 5/16 X 1	95098653	1
91	--- SPRING VALVE RELIEF	30508741IM	1
92	--- BALL RELIEF VALVE, 1/2 INCH, E52100	95320446	1
	-- ASSEMBLY OIL PUMP NL ESV	70402755	1
80	--- ASSEMBLY OIL PUMP ESV	30427140	1
81	---- SHAFT DRIVE OIL PUMP	37141041	1
81	---- RING LOCATING -OIL PUMP	37141058	1
81	---- ROTOR INNER GEAR IDLER 5 &7 ESV	97059414	1
81	---- ROTOR OUTER GEAR DRIVE 5 &7 ESV	97059422	1
	---- COVER SHAFT	30253892	1
	-- ASSEMBLY CRANKSHAFT 5 STK ESV	37087251	1
17	--- CRANKSHAFT 5 STK ESV	30559629	1
18	--- PIN DOWEL CRANKSHAFT	70408240	1
58	--- KEY 5/8X5/8X3-3/4	95453197	1
	--- CAP CLOSR.CRN/SHFT 5 STRK	94487543	1
	-- ASSEMBLY ROD CONNECTING ESV	37189586	1
20	--- ROD CONNECTING 5 STK	37189578	1
25	--- WIRE LOCKING ESV	37605177	16
23	--- BUSH CRANK PIN 5 ESV	30557698	1
24	--- BUSH PIN X HD	30557706	1
	-- ASSEMBLY CROSSHEAD	70324306	1
52	--- CROSSHEAD 5" STROKE ESV	30559728	1
54	--- PIN CROSSHEAD	34579342	1
55	--- PLUG XHD PIN ESV	30569008	1
56	--- PLUG 1/4	95250932	1
57	--- RING RETAINER 5 STK	30576144IM	2