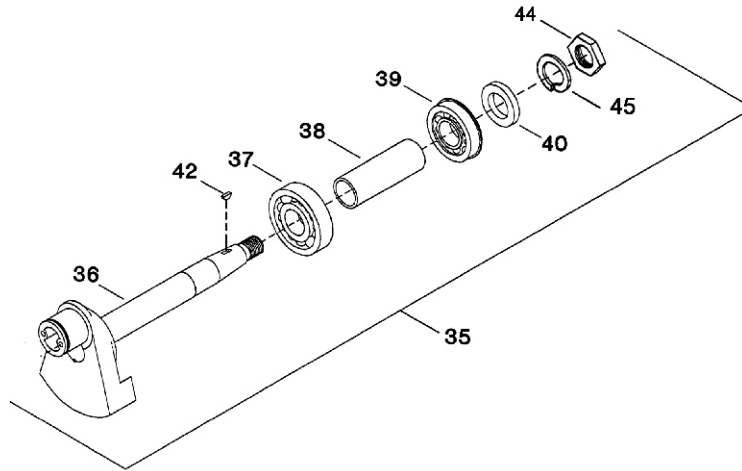


# 32310054 - ASSEMBLY CRANKSHAFT COMPLETE



No.	Description	Ref Part No.	QTY
1-35	<b>Assembly Crankshaft Complete</b>	<b>32310054</b>	-
1-36	- Assembly, Disc and Crankshaft	NSS	1
1-37	- Bearing, Ball	32295701	1
1-38	- Spacer, Main Bearing	30218457	1
1-39	- Bearing, Ball - Main Snap Ring	95305645	1
1-40	- Ring, Bearing Retainer	30216824	1
1-42	- Key, Woodruff	95083721	1
1-43	- Nut, Beltwheel	30287668	1
1-44	- Lockwasher, Spring - 1-3/8"	95265690	1