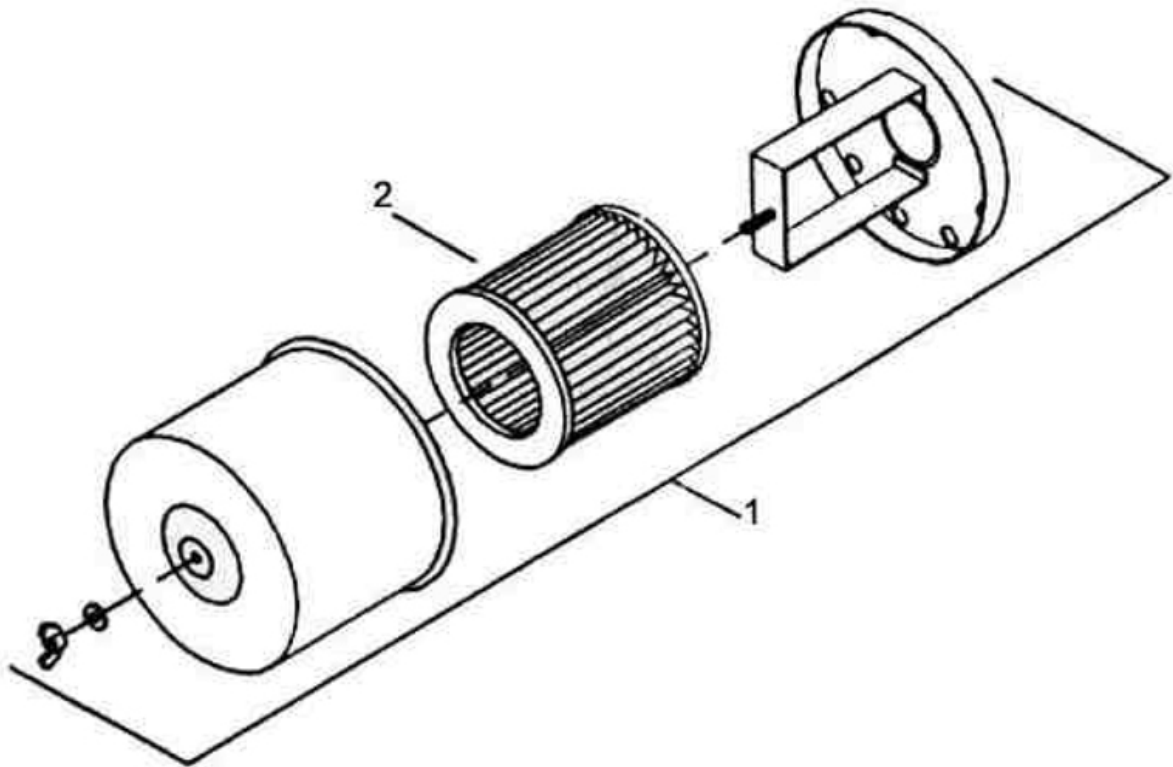


2. INLET FILTER ASSEMBLY - MODEL 71T2



All manufacturer's names, numbers, photos, product description and/or part numbers are used for reference purposes only & it is not implied that any part listed is the product of these manufacturers. Since Approvement are made from time to time, the illustration and specifications are subject to change without notice.

2. INLET FILTER ASSEMBLY - MODEL 71T2

No.	Description	Ref Part No.	QTY
2-1	Filter-Inlet Complete (New Type)	32109779	1
2-2	– Element, Filter - 10 Micron	32012957	1