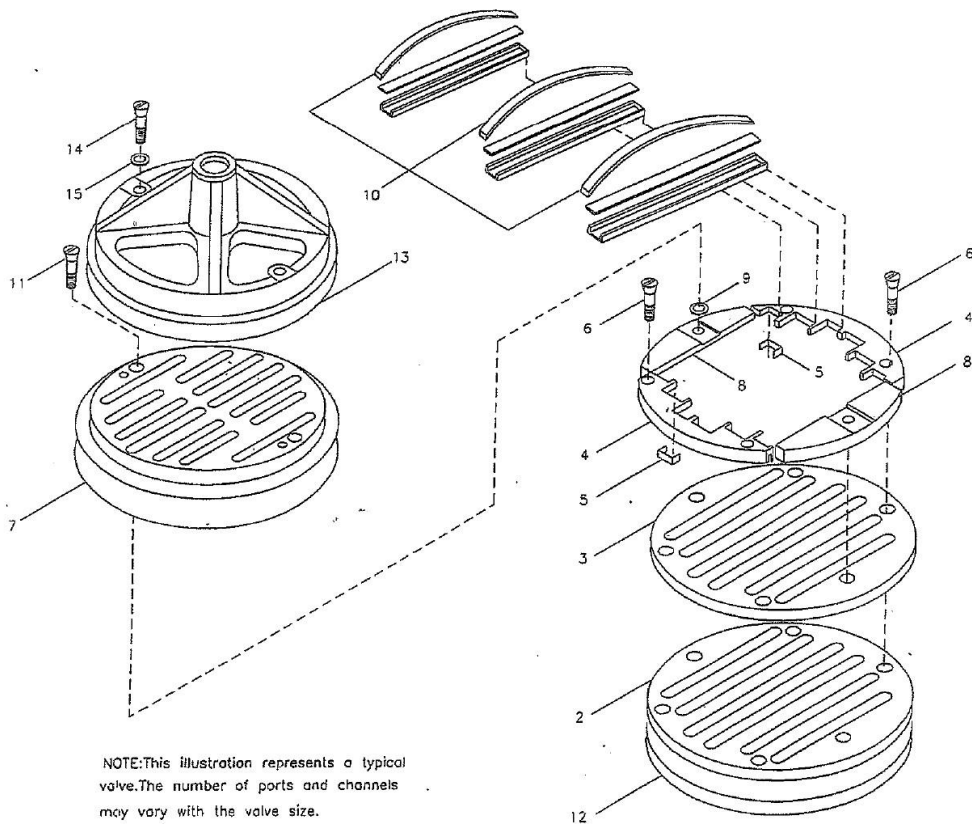


# 4 DISCHARGE VALVE COMPLET WITH CRAB- MODEL - 14 & 14 X 7 PHE NL



NOTE: This illustration represents a typical valve. The number of ports and channels may vary with the valve size.

## 4 DISCHARGE VALVE COMPLET WITH CRAB- MODEL - 14 & 14 X 7 PHE NL

Sr.No	Description	Ref Part Nos	Qty
–	. . ASSEMBLY VALVE DISCH & CRAB A60	70265947	8
–	. . . VALVE DISCHARGE A60 150/175# NL	37154275	1
4-7	. . . . SEAT VALVE (IN/DIS) DISCH	34513036	1
4-3	. . . . PLATE SEAT A60	17278441	1
4-4	. . . . HOLDER GUIDE	31459027IM	2
4-5	. . . . GUIDE VALVE	37039179IM	14
–	. . . . SCREW MACHINE	37025988	4
4-2	. . . . STOP PLATE(IN/DIS) DISCH VALVE	37157955	1
4-8	. . . . BALANCER FLOW	37024106	2
4-9	. . . . WASHER BWL	37039377	2
4-10	. . . . CHANNEL & SPRING SET	17287970	1
4-11	. . . . SCREW MACHINE	95110581	2
4-12	. . . GASKET VALVE SEAT 20X11	30550628	1
–	. . . SCREW SET 1 X 2-1/4 DISCHARGE	97073845	1
–	. . . NUT SET SCREW	97073860	1
–	. . . NUT JAM	95117065	1
4-14	. . . SCREW MACHINE 1/4IN X 1-3/8IN	95001723	2
4-15	. . . WASHER LOCK 1/4	95081873	2
4-13	. . . CRAB VALVE HSE	31252620	1