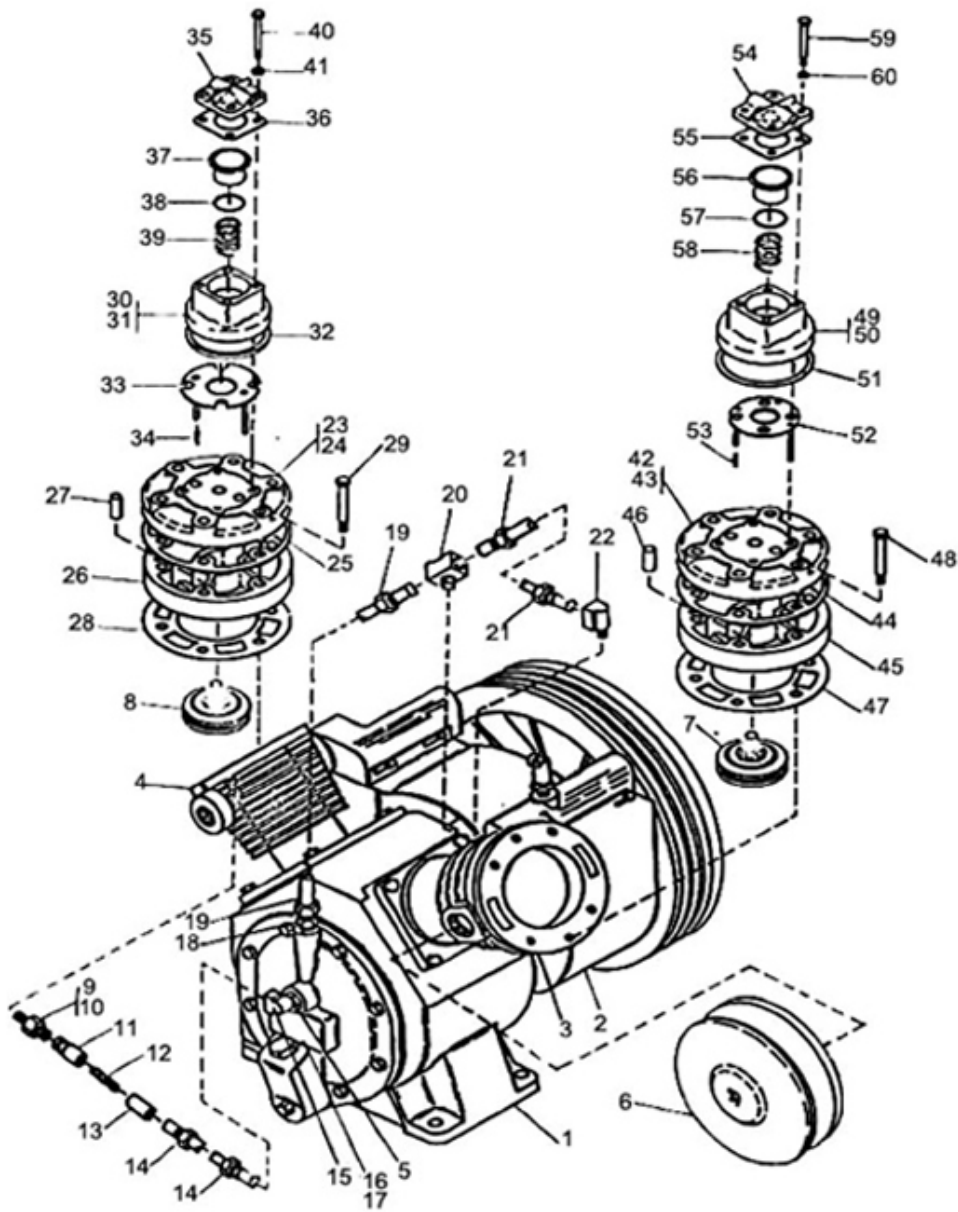


1. BARE COMPRESSOR - MODEL 71T2



All manufacturer's names, numbers, photos, product description and/or part numbers are used for reference purposes only & it is not implied that any part listed is the product of these manufacturers. Since Approvement are made from time to time, the illustration and specifications are subject to change without notice.

1. BARE COMPRESSOR - MODEL 71T2

No.	Description	Ref Part No.	QTY
1-9	Valve cylinder relief complete	30291801	1
1-10	– Body relief valve	30209258	1
1-11	– Bare relief valve	30283519	1
1-12	– Cap relief valve	30279293	1
1-13	– Spring relief valve	32018731	1
1-14	Tube assembly with nuts	37131471	1
1-15	Elbow Tube	95040135	1
1-16	Nameplate	95202800	–
1-17	Stud Drive	30841456	4
1-18	Connector Tube	95082491	1
1-19	Tube assembly with nuts	37131463	1
1-20	Tee Tube	95007522	1
1-21	Tube assembly with nuts	37131455	1
1-22	Elbow Tube	95031852	1
1-23	Head Air complete for automatic start and stop operation see figure C for valve assembly	37101300	1
1-24	– Head air top half	37129442	1
1-23	Head air complete for (optional) constant speed or dual control operation	37101318	1
1-24	– Head air bottom half	37129467	1
1-25	– – Gasket between halves	37007754	1
1-26	– Head air bottom half	37129541	1
1-27	– – Dowel	37114030	1
1-28	– – Gasket air head to cylinder	30294508	1
1-29	Screw cap 1/2 X 3	95043790	4
1-30	Unloader constant speed complete	30293015	1
	Optional		
1-31	– Body unloader complete	30209167	1
1-32	– – Gasket body	30294680	1
1-33	– Plate unloader	32016578	1
1-34	– Spring	32012395	2
1-35	– Cover unloader complete	30211460	1
1-36	– – Gasket Cover	30294656	1
1-37	– Piston unloader complete	30284749	1
1-38	– – O Ring	95022000	1
1-39	– Spring	32018723	1
1-40	– Screw cap 3/8 - 16 X 3 1/2	95102042	4

1. BARE COMPRESSOR - MODEL 71T2

No.	Description	Ref Part No.	QTY
1-41	– Washer plain 3/8	30345227	4
	stop operation see figure D for valve assy		
1-43	– Head air top half	37130531	1
1-42	Head aircomplete for (optional) constant	37101334	1
	speed or dual control operation		
1-43	– Head air top half	37130572	1
1-44	– – Gasket between halves	37047156	1
1-45	– Head air bottom half complete	37130549	1
1-46	– – Dowel	37114030	1
1-47	– – Gasket air head to cylinder	30294326	1
1-48	Screw cap 1/2 X 3	95043790	4
1-49	Unloader constant speed complete	30292007	1
	(Optional)		
1-50	– Body unloader complete	31517709	1
1-51	– – Gasket body	30294698	1
1-52	– Plate unloader complete	32016537	1
1-53	– Spring	32012395	3
1-54	– Cover unloader complete	30211460	1
1-55	– – Gasket cover	30294656	1
1-56	– Piston Unloader complete	30284749	1
1-57	– – O Ring	95022000	1
1-58	– Spring	32018723	1
1-59	– Screw cap 3/8 - 16 X 3 1/2	95102042	4
1-60	– Washer plain 3/8	30345227	4