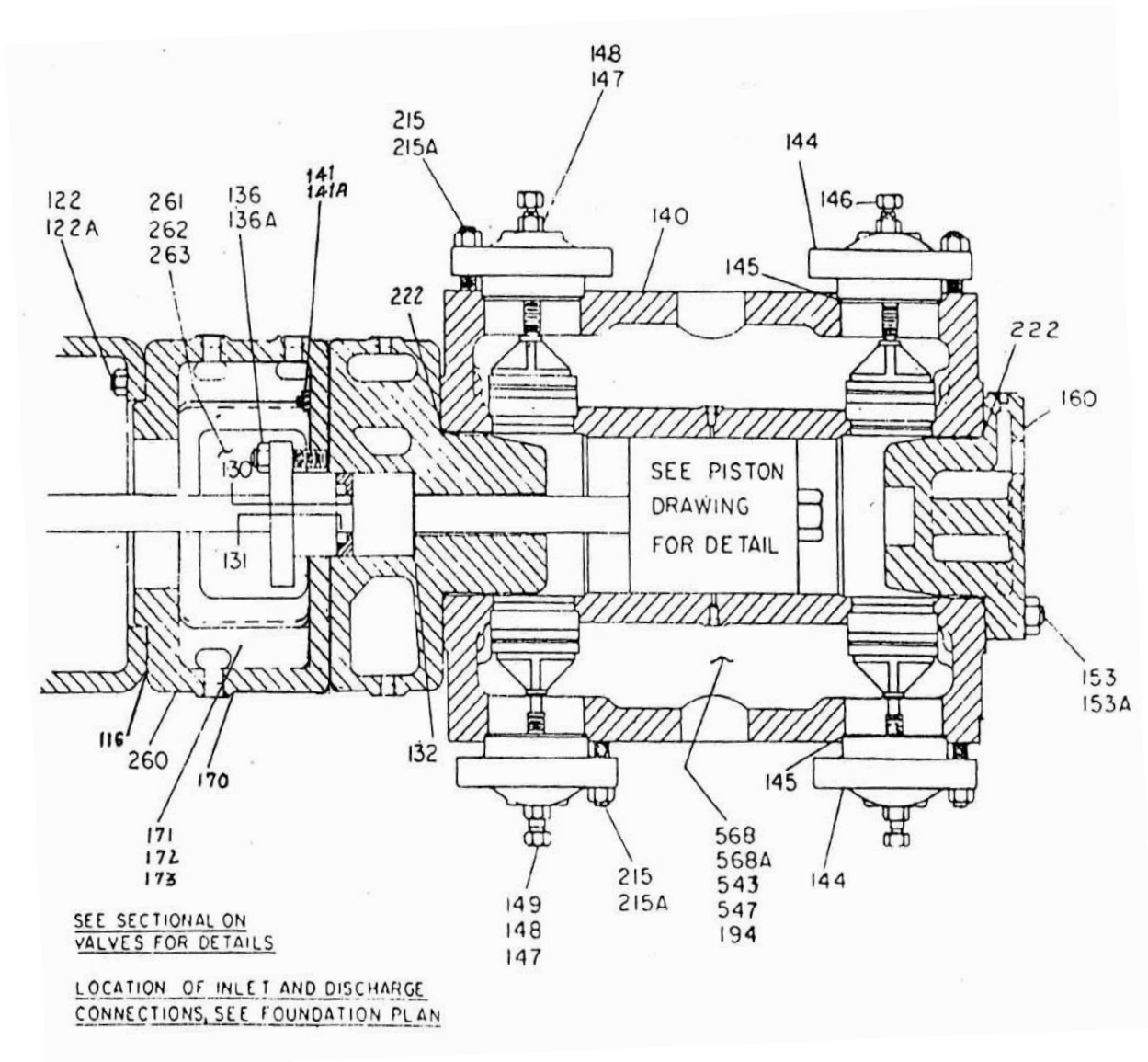


10. HEAD OUTER 9" - MODEL 16 & 9B X 7 IHE NL



All manufacturer's names, numbers, photos, product description and/or part numbers are used for reference purposes only & it is not implied that any part listed is the product of these manufacturers. Since Approvement are made from time to time, the illustration and specifications are subject to change without notice.

10. HEAD OUTER 9" - MODEL 16 & 9B X 7 IHE NL

No.	Description	Ref Part No.	QTY
-	HEAD OUTER	H38094	1
-	PLUG	31A7C9	2
-	GASKET	5439C1AT85	1
-	MONOGRAM	11A16B13K	1
-	DRIVE SCREW	122A2S57	4