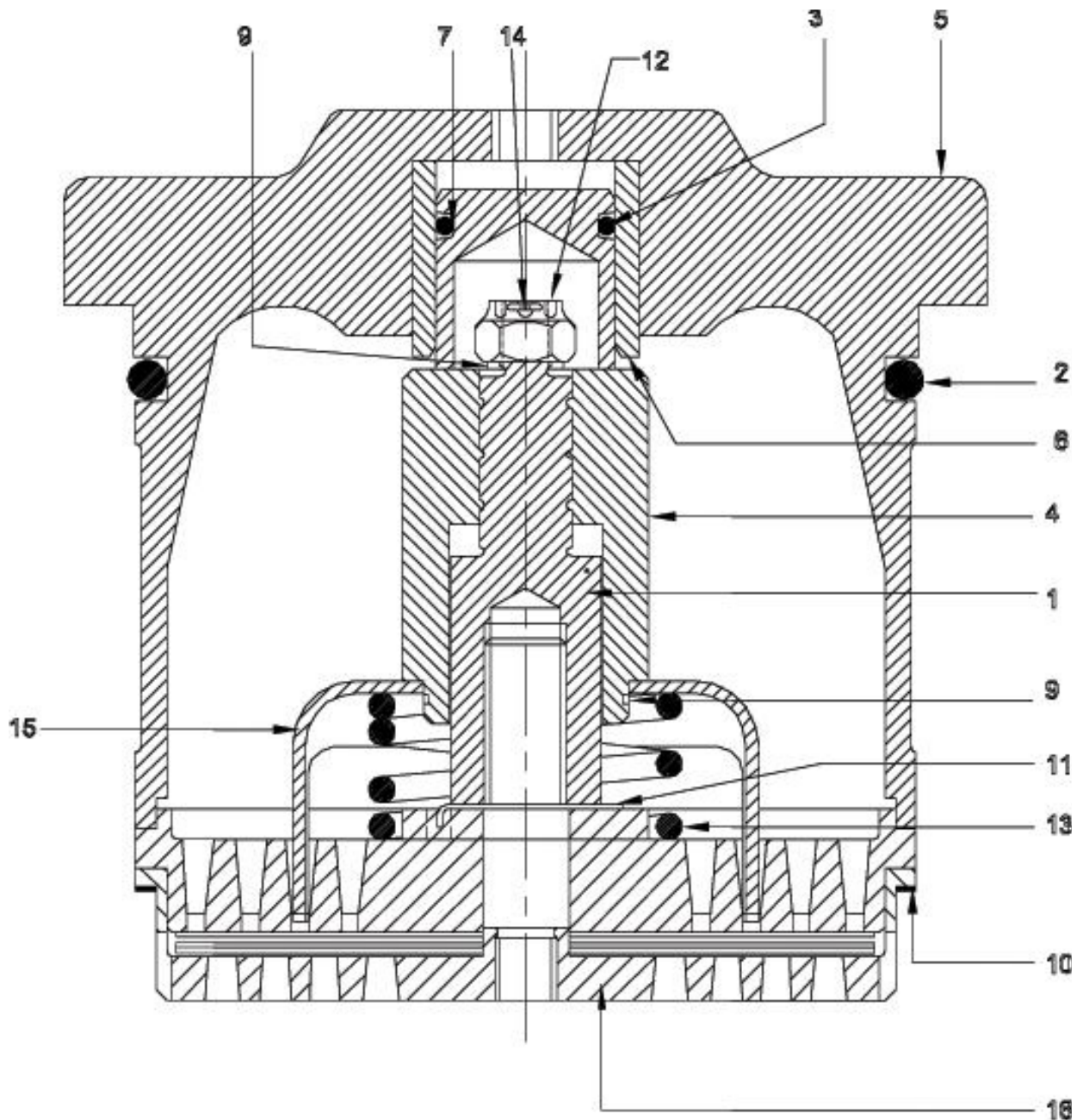


8. SUCTION VALVE & COVER ASSEMBLY (for 220Cyl.)



All manufacturer's names, numbers, photos, product description and/or part numbers are used for reference purposes only & it is not implied that any part listed is the product of these manufacturers. Since Approvement are made from time to time, the illustration and specifications are subject to change without notice.

8. SUCTION VALVE & COVER ASSEMBLY (for 220Cyl.)

| No. | Description | Ref Part No. | QTY |
|-----|--|--------------|-----|
| - | Suction Valve Assembly (Second Stage) | 1903256990 | - |
| 2 | O-Ring | H0221150 | 1 |
| 3 | O-Ring for piston Dia. 51 | H0210150 | 1 |
| 4 | Piston for Regulation | B0903164 | 1 |
| - | Suction Valve Cover Assly. | Z2706163 | 1 |
| 5 | - Suction Valve cover | C0220164 | 1 |
| 6 | - Sleeve Dia. 51 | C6567164 | 1 |
| 7 | Piston Dia. 51 | B0902164 | 1 |
| 10 | Copper Washer | M3637150 | 1 |
| 14 | Split Pin Dia. 2.5 | M5108150 | 1 |
| - | Suction Lifter Assembly - FAU (First & Second Stage) | C9007164A | 1 |
| 1 | - Guide nut for Lifter | M2081163 | 1 |
| 8 | - Circlip Dia. 40 | M4009164 | 1 |
| 9 | - Washer | M3638162 | 1 |
| 11 | - Lock for Screw | M3840162 | 1 |
| 12 | - Castle Nut | M2221160 | 1 |
| 13 | - Spring | H3483164 | 1 |
| 15 | - Lifter | C9007164 | 1 |
| | Valve Service Kit (Second Stage) | 1903005795 | - |
| | - Valve Plate | E2229164 | 1 |
| | - O Ring for Unloader Piston | H0210150 | 1 |
| | - O Ring for Valve Holder | H0221150 | 1 |
| | - Lift Washer Top | H0808164 | 1 |
| | - Lift washer Bottom | H0809164 | 1 |
| | - Valve Spring | H3488164 | 8 |
| | - Cu. Washer | M3637150 | 1 |
| | - Split Pin | M5109150 | 1 |

Note :- Suction Valve Assembly - Second Stage - Qty. : 06nos.