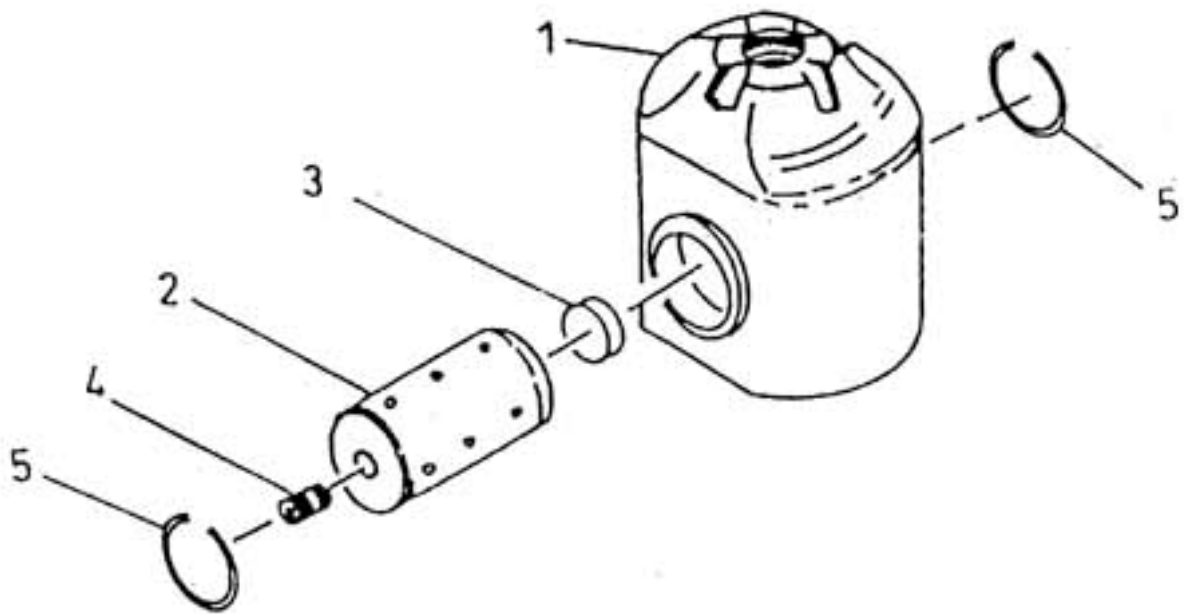


10. ASSEMBLY CROSS HEAD - MODEL 9.5 x 7 NL



All manufacturer's names, numbers, photos, product description and/or part numbers are used for reference purposes only & it is not implied that any part listed is the product of these manufacturers. Since Approvement are made from time to time, the illustration and specifications are subject to change without notice.

10. ASSEMBLY CROSS HEAD - MODEL 9.5 x 7 NL

No.	Description	Ref Part No.	QTY
1	Cross Head 7"	30559736	1
2	Pin Cross Head	90732538	1
3	Plug Crosshead Pin	30206940	1
4	Plug 1/4"	95250932	1
5	Ring Retainer	30576136IM	2