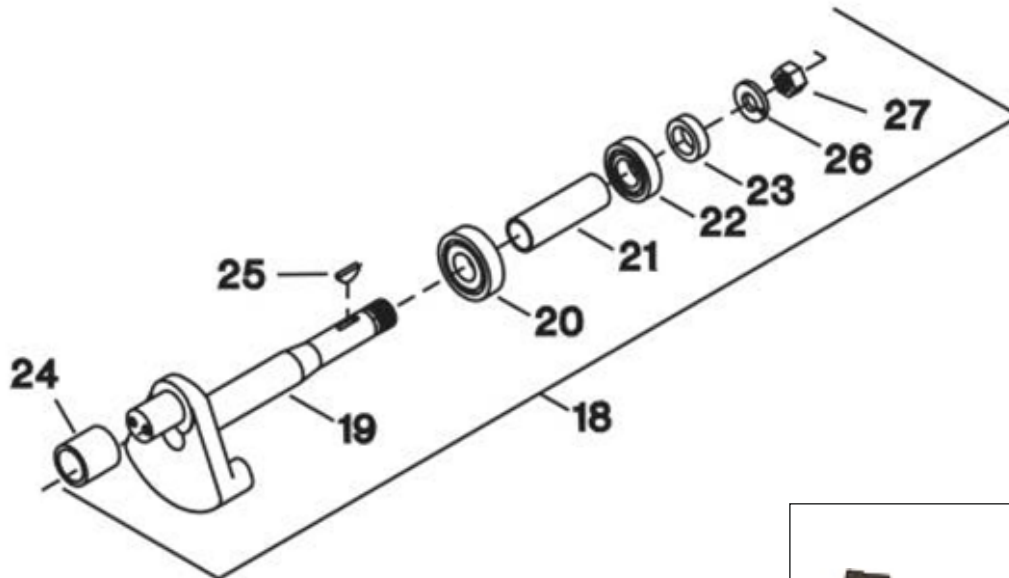


# 32496549\* - CRANKSHAFT COMPLETE WITH BUSHING



No.	Description	Ref Part No.	QTY
<b>1-18</b>	<b>Crankshaft Complete With Bushing</b>	<b>32496549*</b>	<b>-</b>
1-19	- Assy, Disc/Shaft	32293821	1
1-20	- Bearing, Ball	95930400	1
1-21	- Spacer, Crankshaft Bearing	37127016	1
1-22	- Bearing, Ball - W/Snap Ring	95951216	1
1-23	- Ring, Bearing Retainer	37127024	1
1-24	- Bushing, Crankpin	30289813	1
1-25	- Key, Woodruff	95433173	1
1-26	- Lockwasher - 5/8"	95081790	1
1-27	- Nut, Hex -5/8-18	95076808	1