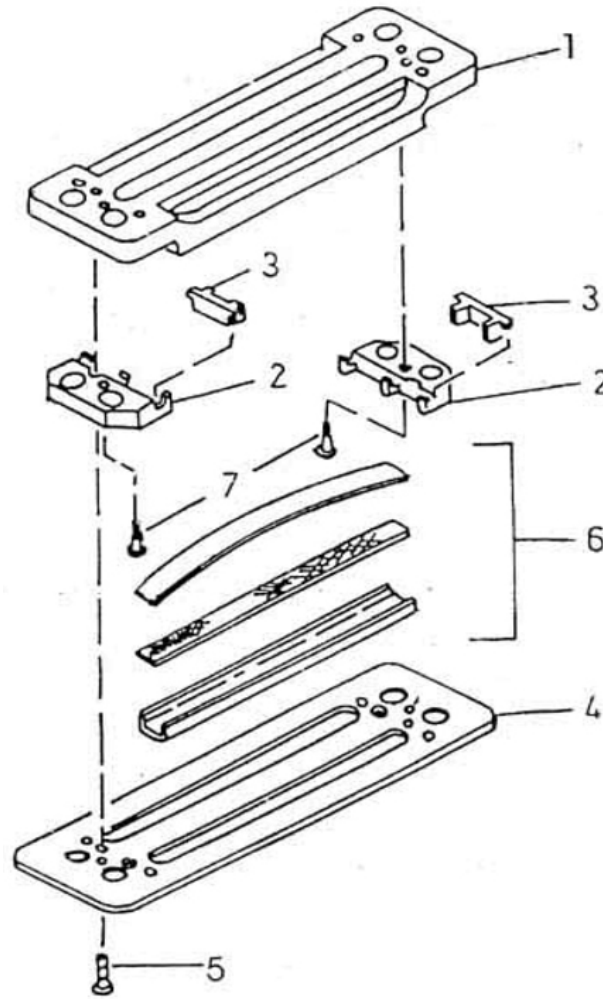


# 37022829 - VALVE DISCHARGE



No.	Description	Ref Part No.	QTY
-	<b>VALVE DISCHARGE</b>	<b>37022829</b>	-
1	- STOP PLATE	31206303	1
2	- HOLDER GUIDE	31535867IM	2
3	- GUIDE VALVE **	37041324	4
4	- SEAT PLATE	30661995IM	1
5	- SCREW MACHINE	95110763	2
6	- CHANNEL & SPRING SET	30635064IM	1
7	- SCREW GUIDE	31208549IM	2*

All manufacturer's names, numbers, photos, product description and/or part numbers are used for reference purposes only & it is not implied that any part listed is the product of these manufacturers. Since Approvement are made from time to time, the illustration and specifications are subject to change without notice.