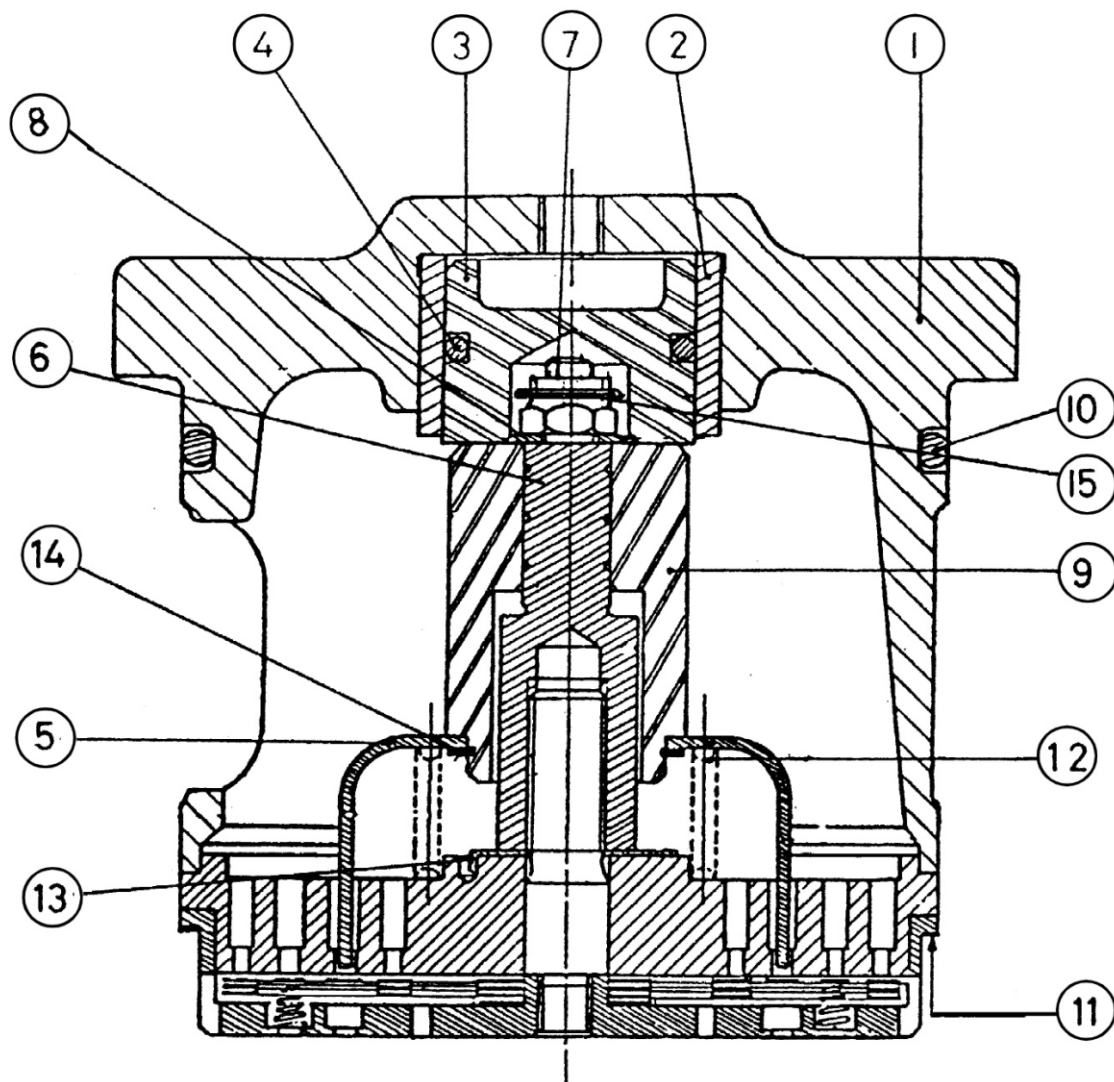


7. FIRST STAGE SUCTION VALVE COVER ASSEMBLY



All manufacturer's names, numbers, photos, product description and/or part numbers are used for reference purposes only & it is not implied that any part listed is the product of these manufacturers. Since Approvement are made from time to time, the illustration and specifications are subject to change without notice.

7. FIRST STAGE SUCTION VALVE ASSEMBLY

No.	Description	Ref Part No.	QTY
-	Suction Valve Cover Assembly	Z2568196	1
1	*Valve Cover	C0220164	1
2	*Sleeve	-	1
3	Piston	B0902196	1
4	'O' Ring For Piston	H0210170	1
5	Lifter	C9007164	1
6	Guide Nut for Lifter	M2081163	1
7	Castle Nut (M10)	M2221160	1
8	Plain Washer (M10)	M3638150	1
9	Piston for Regulation	B0903196	1
10	'O' Ring For Cover	H0221170	1
11	Copper Washer	M3637170	1
12	Spring	H3483196	1
13	Lock for Screw	H3840164	1
14	Circlip (Dia 40)	M4009164	1
15	Split Pin (Dia 2.5)	M5108150	1
-	Hex.hd.Bolt For Cover(M16 x 30)	M2645150	4
-	Suction Valve Service Kit	Z2576196	1

Note :

Parts for Suction Valve Cover Assembly - Qty. : 12 Per Compressor