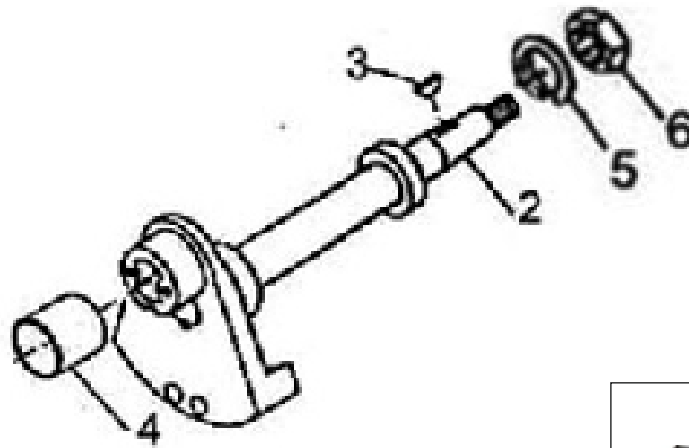


30211627* - CRANKSHAFT COMPLETE WITH BUSHING



No.	Description	Ref Part No.	QTY
7-2	Crankshaft Complete With Bushing	30211627*	-
7-3	- Key woodruff	95047437	1
7-4	- Bushing crankpin	37002375	1
7-5	- Washer lock	95324844	1
7-6	- Nut belt wheel	30835698	1