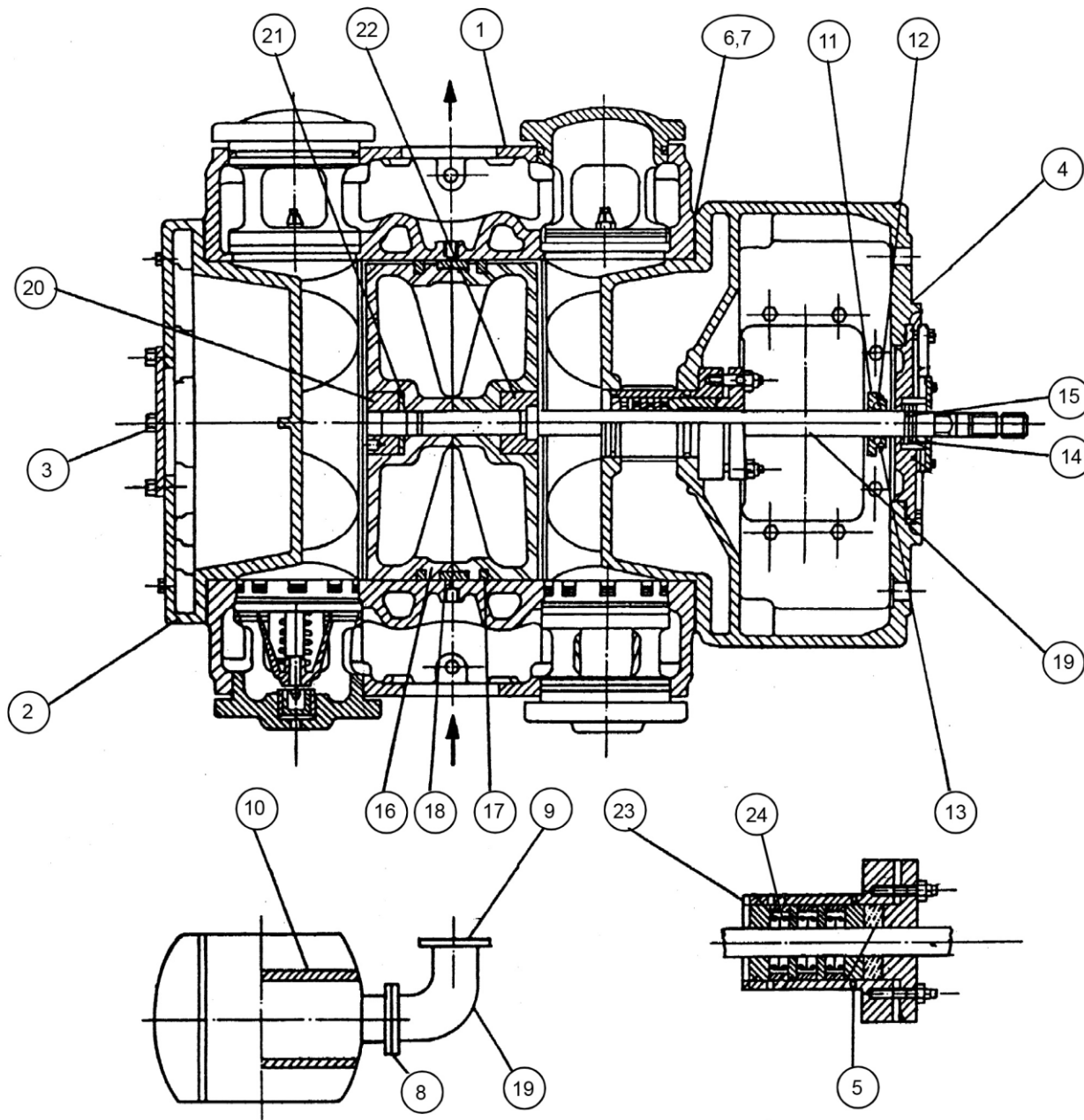


2. AIR CYLINDER, PISTON, PISTON ROD & PACKING ASSEMBLY



All manufacturer's names, numbers, photos, product description and/or part numbers are used for reference purposes only & it is not implied that any part listed is the product of these manufacturers. Since Approvement are made from time to time, the illustration and specifications are subject to change without notice.

2. AIR CYLINDER, PISTON, PISTON ROD & PACKING ASSEMBLY

No.	Description	Ref Part No.	QTY
1	Air Cylinder Assembly (370 Dia)	Z1657163	1
-	Door	B7217151	2
-	Gasket for Door	H0730188	2
-	Copper Washer	Q3619170	20
2	Air Cylinder Head (Outer)	B0574163	1
3	Copper Washer	Q3619170	6
4	Gasket between Frame & Cyl. Head Inner	H0760162	1
-	Air Cylinder Head Assembly (Inner)	Z1674164	1
5	*'O' Ring	H0216170	2
6	Gasket between Cyl. Head & Cylinder	H0768163	2
7	Gasket for Water Passage	H0769163	12
8	Gasket for Suction Filter	H0806196	1
9	Gasket for Cylinder Inlet	H0787163	1
10	*Suction Filter Element	W0857891	1
-	Vaccum Indicator	M0617170	1
11	Deflector	D9651196	1
12	'O' Ring for Deflector	H0215170	1
13	Grub Screw M5 x 10	M2844170	2
14	Oil Wiper Ring (Pair)	H1445196	1
15	Oil Sealing Ring	H1446196	1
16	Piston Half	B0915163	2
17	Piston Ring	H3220198	2
18	Rider Ring	H3221196	2
19	Piston Rod	B4229196	1
20	Piston Nut	C6714196	1
21	Washer	M3634196	1
22	Sleeve for Piston	C6571196	1
23	Al. Washer	H0763170	1
24	Packing Ring with Spring	H1444196	6