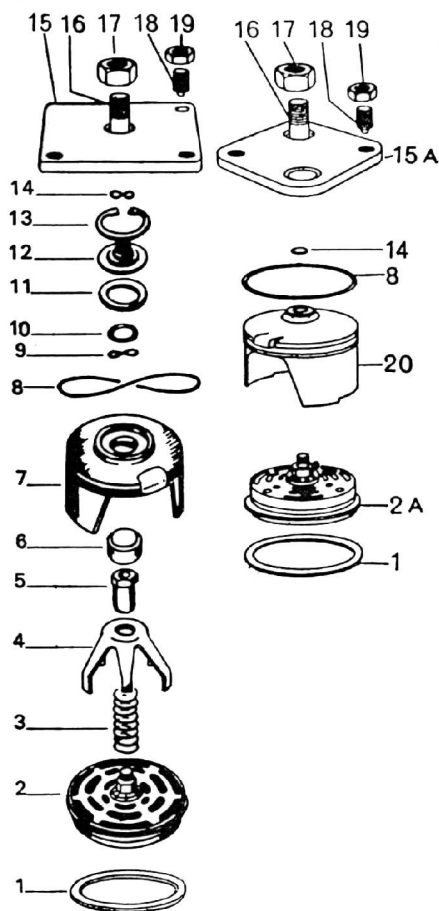


5. Valves (For New System)



No.	Description	Ref. Part No.	QTY
1	Copper washer	0653435300	6
2	Suction valve Compl.	1613119180	3
2a	Delivery valve Compl.	1613119280	3
3	Spring	1614272300	3
4	Yoke	1614034200	3
5	Nut	1614035200	3
6	Plunger	1614272200	3
7	Retainer valve, LP	1614272000	3
8	O-ring	0663987300	6
9	O-ring	0663313200	3
10	Teflon ring	1619347300	3
11	Seal ring	1614272100	3
12	Retainer	1614034800	3
13	Circlip	0335215100	3
14	O-ring	0663311600	3
15	Locking plate, LP	1614034500	1
15a	Locking plate, HP	1614034600	1
16	Stud 3/4" UNC - L = 76 mm	1614035100	3
17	Nut 3/4" UNC	1614034900	3
18	Set Screw	0192344700	3
19	Nut	0268311000	3
20	Retainer compl. Valve HP	1614034380	3