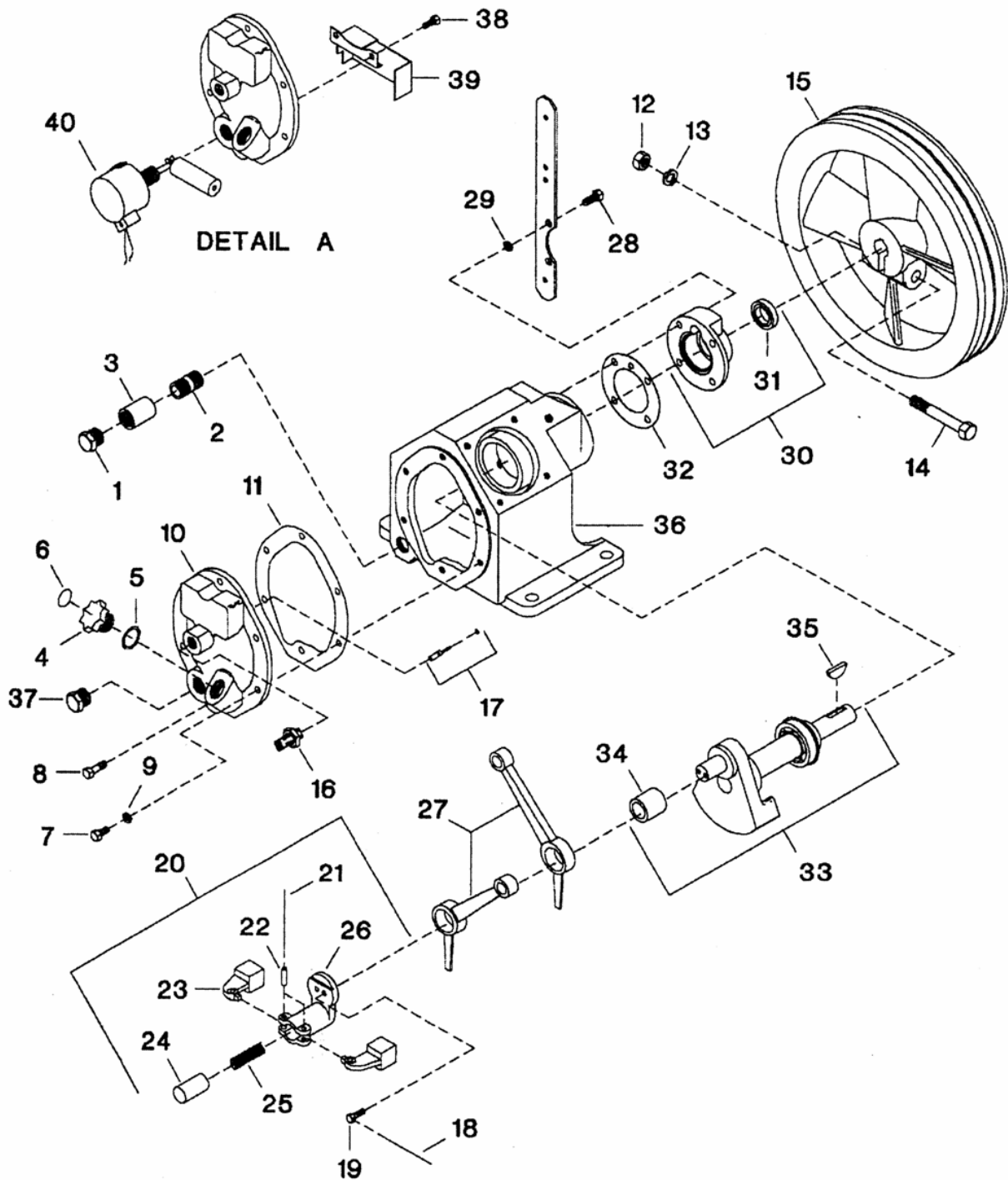


## 2. COMPRESSOR FRAME ASSEMBLY - MODEL 231



All manufacturer's names, numbers, photos, product description and/or part numbers are used for reference purposes only & it is not implied that any part listed is the product of these manufacturers. Since Approvement are made from time to time, the illustration and specifications are subject to change without notice.

## 2. COMPRESSOR FRAME ASSEMBLY - MODEL 231

No.	Description	Ref Part No.	QTY
2-1	Plug. Pipe Hex Head	95344651	2
2-2	Nipple, Long	95640009	1
2-3	Coupling, Pipe -1/2"	32179061	1
2-4	Plug, Oil Filler - Complete	30216055	1
2-5	– O-Ring	95018149	1
2-6	Decal, Hand Tighten	32000655	1
2-7	Capscrew-Hex Head	95227302	5
2-8	Capscrew-Hex Head	95079976	1
2-9	Gasket-Copper Washer	95674651	1
2-10	Cover, Frame End	37127107	1
2-11	Gasket, Frame End Cover	30299226	1
2-12	Nut-Hex	95077798	1
2-13	Lockwasher, Spring	95716890	1
2-14	Capscrew-Hex	95053682	1
2-15	Wheel, V-Belt	30212906	1
2-16	Valve, Pilot	37007689	1
2-17	Pin Thrust Assembly	37002417	1
2-18	Lockwire	90799289	1
2-19	Capscrew-Hex Head	95044111	2
2-20	Cap Crankpin Assembly	30210264	1
2-21	– Lockwire	32006587	1
2-22	– Pin, Centrifugal Unloader	30215008	2
2-23	– Weight, Centrifugal Unloader	30221725	2
2-24	– Plunger, Centrifugal Unloader	30216118	1
2-25	– Spring, Centrifugal Unloader	30416978	1
2-26	– Body, Crankpin Cap	30210454	1
2-27	Rod, Connecting	32004145	2
2-28	Capscrew-Hex Head	95227302	4
2-29	Gasket-Copper Washer	95674651	4
2-30	Cover Shaft End Assembly	32027914	1
2-31	– Seal, Oil	32204521	1
2-32	Gasket, Shaft End Cover	30295034	1
2-33	Crankshaft - Complete	30211577	1
2-34	– Bushing, Crankpin	30289813	1
2-35	– Key, Woodruff	95433173	1
2-36	Frame, Compressor	30222327	1

All manufacturer's names, numbers, photos, product description and/or part numbers are used for reference purposes only & it is not implied that any part listed is the product of these manufacturers. Since Approvement are made from time to time, the illustration and specifications are subject to change without notice.

## 2. COMPRESSOR FRAME ASSEMBLY - MODEL 231



No.	Description	Ref Part No.	QTY
	<b>Optional Items Detail A</b>		
2-37	Capscrew Hex 1/4"-2	95311650	2
2-38	Baffle, Low Oil Level Switch	30265605	1
2-39	Switch Low Oil Level	32201527	1

All manufacturer's names, numbers, photos, product description and/or part numbers are used for reference purposes only & it is not implied that any part listed is the product of these manufacturers. Since improvement are made from time to time, the illustration and specifications are subject to change without notice.