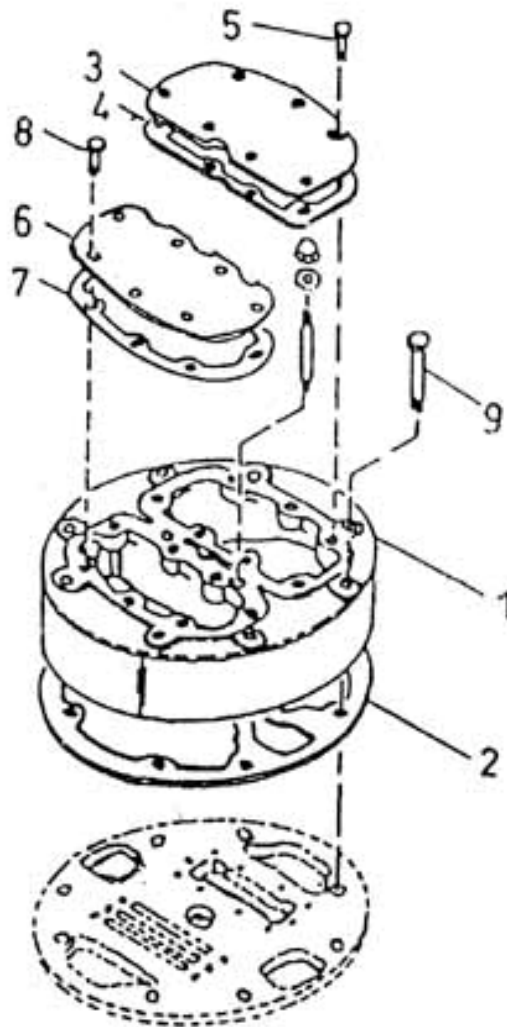


17. ASSEMBLY HEAD OUTER - MODEL 9.5 x 5 NL



All manufacturer's names, numbers, photos, product description and/or part numbers are used for reference purposes only & it is not implied that any part listed is the product of these manufacturers. Since Approvement are made from time to time, the illustration and specifications are subject to change without notice.

17. ASSEMBLY HEAD OUTER - MODEL 9.5 x 5 NL

No.	Description	Ref Part No.	QTY
–	Assembly Head Outer	70223284	–
1	– Head Outer	37085966	1
2	– Gasket Head Outer	39542139	1
3	– Cover Inlet Valve	37087871	1
4	– Gasket Cover Valve	39549670	1
5	– Screw Cap Hex Head 3/8" Dia.	95035333	5
6	– Cover Discharge Valve	37087889	1
7	– Gasket Cover Discharge Valve	39550058	1
8	– Screw Cap Hex 1/2" Dia	95053047	7
9	– Screw Cap Outer Head	37795218	8