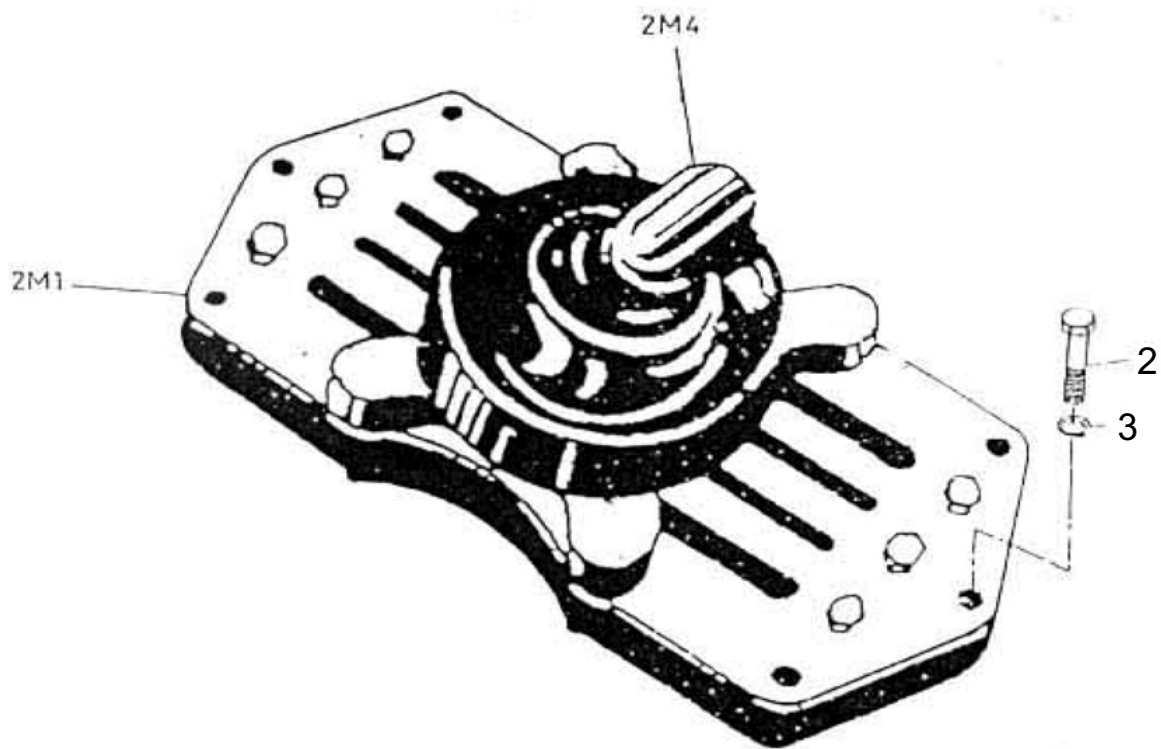


20. ASSEMBLY VALVE INLET & UNLOADER - MODEL 8 x 7 NL



All manufacturer's names, numbers, photos, product description and/or part numbers are used for reference purposes only & it is not implied that any part listed is the product of these manufacturers. Since Improvement are made from time to time, the illustration and specifications are subject to change without notice.

20. ASSEMBLY VALVE INLET & UNLOADER - MODEL 8 x 7 NL

| No. | Description | Ref Part No. | QTY |
|-----|---------------------------------|--------------|-----|
| – | Assembly Valve Inlet & Unloader | 70328760 | – |
| 2M1 | – Valve Inlet | 37020542 | 1 |
| 2 | – Bolt Hex Head 5/16" X 1-1/4" | 95002978 | 6 |
| 3 | – Washer Spring 5/16" | 95096145 | 6 |
| 2M4 | – Assembly Unloader | 70265475 | 1 |