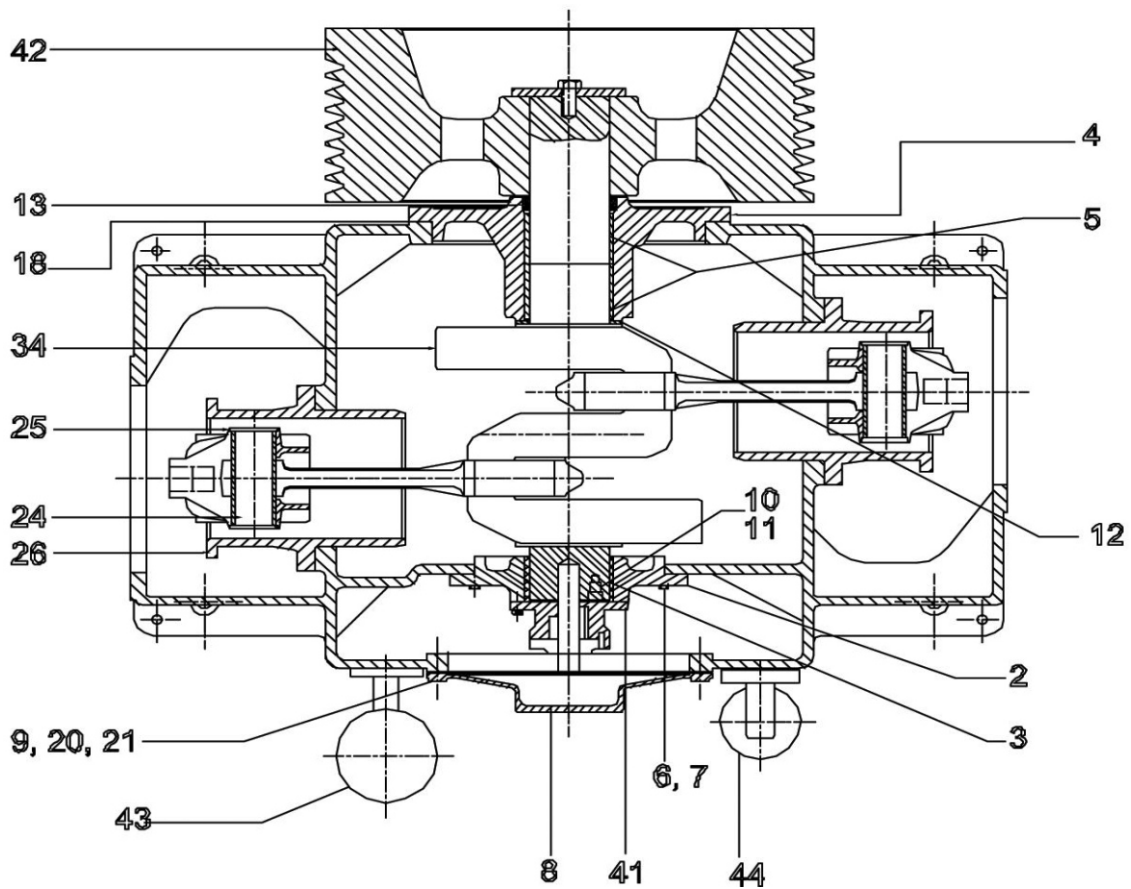
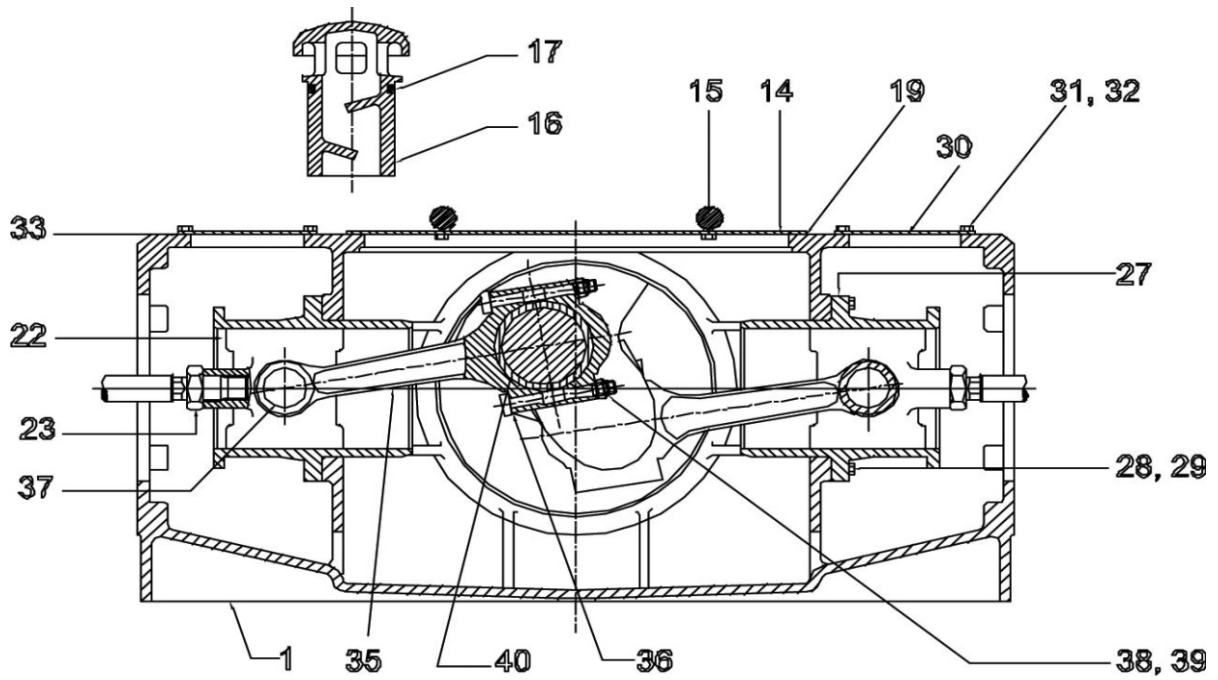


2. FRAME, CROSS SLIDE, CRANKSHAFT & CONNECTING ROD ASSEMBLY



All manufacturer's names, numbers, photos, product description and/or part numbers are used for reference purposes only & it is not implied that any part listed is the product of these manufacturers. Since Approvement are made from time to time, the illustration and specifications are subject to change without notice.

2. FRAME, CROSS SLIDE, CRANKSHAFT & CONNECTING ROD ASSEMBLY

No.	Description	Ref Part No.	QTY
-	Frame Assly.	-	1
1	Frame	1901060309	1
-	Cover Pump end assembly	Z2312162	1
2	Cover (not sold as spare)	-	1
3	Main Bearing	M5480162	1
-	Cover Flywheel End assembly	Z2311162	1
4	Cover (not sold as spare)	-	11
5	Main Bearing	M5480162	2
6	Stud M14x35 (Cover for pump and Flywheel)	M3479150	16
7	Hex. Nut, M14	M2054150	16
-	Stud M18 for Cyl. Head	M3478150	20
-	Stud M12x35 for Oil Cooler	M3480150	4
-	Visual Screw	H1704162	1
-	Nut M16 for Cyl Head	M2055150	20
-	Nut M12 for Oil Cooler	M2053150	4
8	Cover for Oil Pump end	1901060394	1
9	Gasket for Cover	H0751162	1
10	Socket Head Screw M12x25	M2852150	2
11	Spring Washer, M12	M3726150	2
12	Thrust Washer	B6803162	2
13	Oil Seal Ring	H0302162	1
14	Top Cover for Frame	1901008757	1
15	Handle for Top Cover	H2113162	2
16	Breather	C6110162	1
17	O-Ring for Breather	H0208150	1
18	Gasket for Cover Flywheel end	H0749162	1
19	Gasket for Top Cover	H0750162	1
20	Hex HD Screw, M 10x25 (for Top Cover & Oil Pump end Cover)	M2615150	26
21	Copper Washer B11	Q3619000	26
22	Cross Head	1901004022	2
23	Cross Head Nut	M2065162	2
24	Cross Head Pin	1901004164	2
25	Internal Circlip	M4008162	2
-	Cross Slide Assembly	-	2
26	Cross Slide	1901060400	2
27	Plug, R1/8"	G3622150	2
28	Stud, M18x45	M3478150	8
29	Nut M18	M2055150	8

All manufacturer's names, numbers, photos, product description and/or part numbers are used for reference purposes only & it is not implied that any part listed is the product of these manufacturers. Since Approvement are made from time to time, the illustration and specifications are subject to change without notice.

2. FRAME, CROSS SLIDE, CRANKSHAFT & CONNECTING ROD ASSEMBLY

No.	Description	Ref Part No.	QTY
30	Door for Cross Slide and Frame	E7317151	6
31	Hex. Head Screw, M10x16	Q2524000	60
32	Copper Washer, B11	Q3619000	60
33	Gasket for Door	H0730151	6
34	Crank Shaft	B4316162	1
-	Connecting Rod Assembly	Z1814162	2
35	Connecting Rod	-	2
36	Connecting rod Bolt	D3037162	2
37	Small End Bushing	C9516162	2
38	Castle Nut	M2225160	4
39	Split pin Dia. 4	M5110150	4
40	Big End Bearing	C9926162	2
41	Oil Pump Assembly	Z9393162	1
42	Belt Wheel	B0216164	1
43	Oil Cooler	K0413162	1
-	Tube Bundle Assembly	W0497162	1
-	O-Ring	W0497801	2
-	Rubber Gasket	W0497802	1
-	Gasket for Oil Cooler	H0762162	2
-	Gasket for Oil Pipe	H0761162	1
44	Oil Filter body	D3905151	1
-	Oil filter element	K0601102	1
-	Gasket for Oil filter	H0743151	1