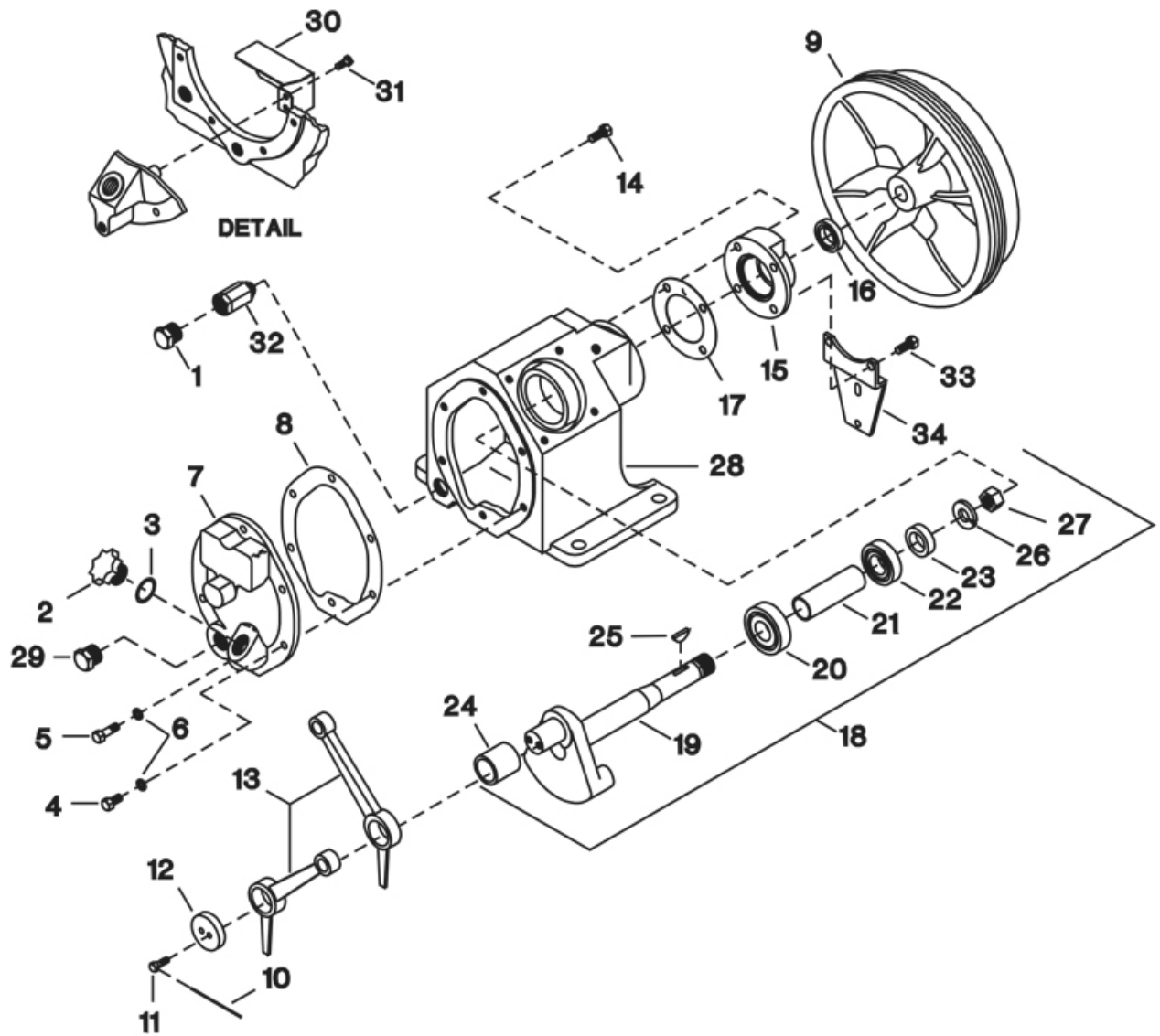


1. COMPRESSOR FRAME ASSEMBLY - MODEL 2340



All manufacturer's names, numbers, photos, product description and/or part numbers are used for reference purposes only & it is not implied that any part listed is the product of these manufacturers. Since Approvement are made from time to time, the illustration and specifications are subject to change without notice.

1. COMPRESSOR FRAME ASSEMBLY - MODEL 2340

No.	Description	Ref Part No.	QTY
1-1	Plug, Pipe - Hex Head -3/8"	95033601	1
1-2	Plug, Oil Filler	37127065	1
1-3	O-Ring	95022158	1
1-4	Capscrew, Hex Head - 5/16-18X7/8"	95105243	5
1-5	Capscrew, Hex Head - 5/16-18X1-1/4"	95002978	1
1-6	Gasket, Copper Washer	95674651	6
1-7	Cover, Frame End	37127123	1
1-8	Gasket, Frame End Cover	32293680	1
1-9	Beltwheel(Clockwise Rotation When Facing Unit)	32498974	1
1-9	Beltwheel(Counter-Clockwise Rotation When Facing Unit)	32293698	1
1-10	Lockwire, 12 GA-5"	90799289	1
1-11	Capscrew, Lock-1/4-20X3/4"	30278709	2
1-12	Cap, Crankpin	30210314	1
1-13	Rod, Connecting	32004145	2
1-14	Capscrew, Hex-5/16-18X7/8"	95105243	2
1-15	Cover, Shaft End	37127032	1
1-16	Seal, Oil	32204521	1
1-17	Gasket, Shaft End Cover	32293672	1
1-18	Crankshaft, Complete	32496549	1
1-19	– Assy, Disc/Shaft	32293821	1
1-20	– Bearing, Ball	95930400	1
1-21	– Spacer, Crankshaft Bearing	37127016	1
1-22	– Bearing, Ball - W/Snap Ring	95951216	1
1-23	– Ring, Bearing Retainer	37127024	1
1-24	– Bushing, Crankpin	30289813	1
1-25	– Key, Woodruff	95433173	1
1-26	– Lockwasher - 5/8"	95081790	1
1-27	– Nut, Hex -5/8-18	95076808	1
1-28	Frame, Compressor	30222327	1
1-29	Plug, Pipe - Hex Head -3/4"	95200333	1
1-30	Baffle, Oil Level (See Note)	32270639	1
1-31	Capscrew, Hex -1/4-20 X 1/2" (See Note)	95053070	2
1-32	Adapter, Drain Extension (See Note)	70235049	1
1-33	Capscrew, Hex - 5/16 -18 X 7/8" (See Note)	95105243	2
1-34	Bracket, Intercooler Clamp	97331011	1

All manufacturer's names, numbers, photos, product description and/or part numbers are used for reference purposes only & it is not implied that any part listed is the product of these manufacturers. Since Approvement are made from time to time, the illustration and specifications are subject to change without notice.