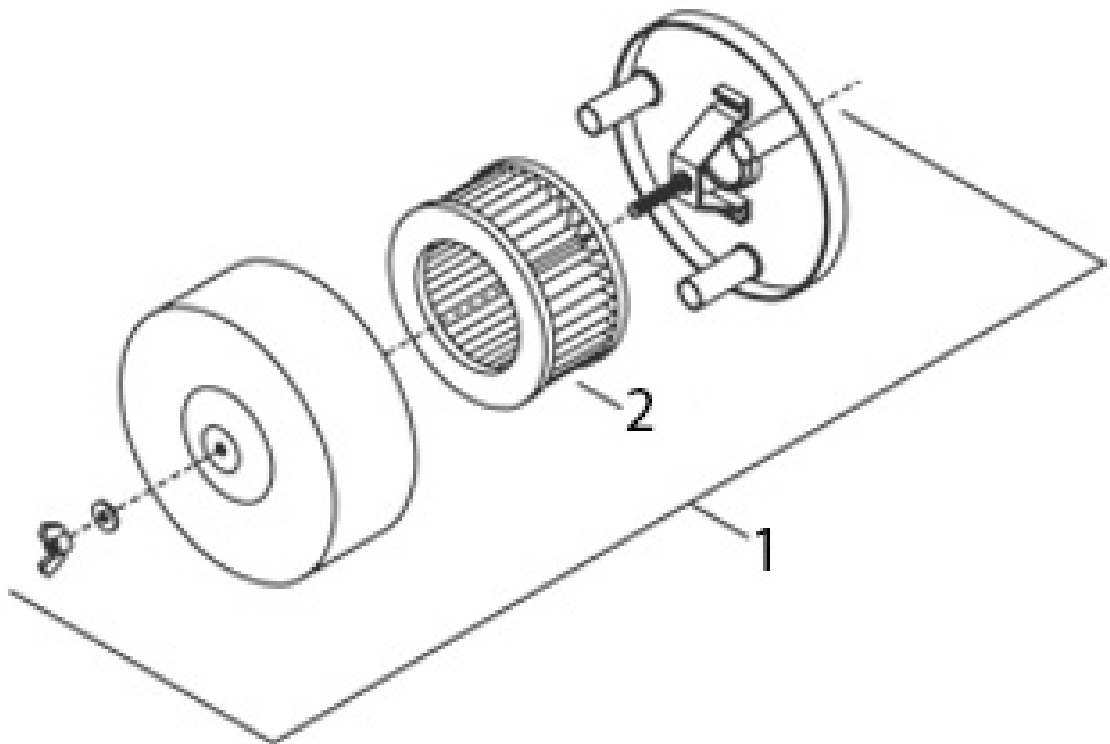


## 1. AIR INLET FILTER - MODEL 234



All manufacturer's names, numbers, photos, product description and/or part numbers are used for reference purposes only & it is not implied that any part listed is the product of these manufacturers. Since Approvement are made from time to time, the illustration and specifications are subject to change without notice.

## 1. AIR INLET FILTER - MODEL 234

No.	Description	Ref Part No.	QTY
1-1	Filter - Inlet Complete	32170953	1
1-2	– Element, Filter - 10 Micron	32170979	1